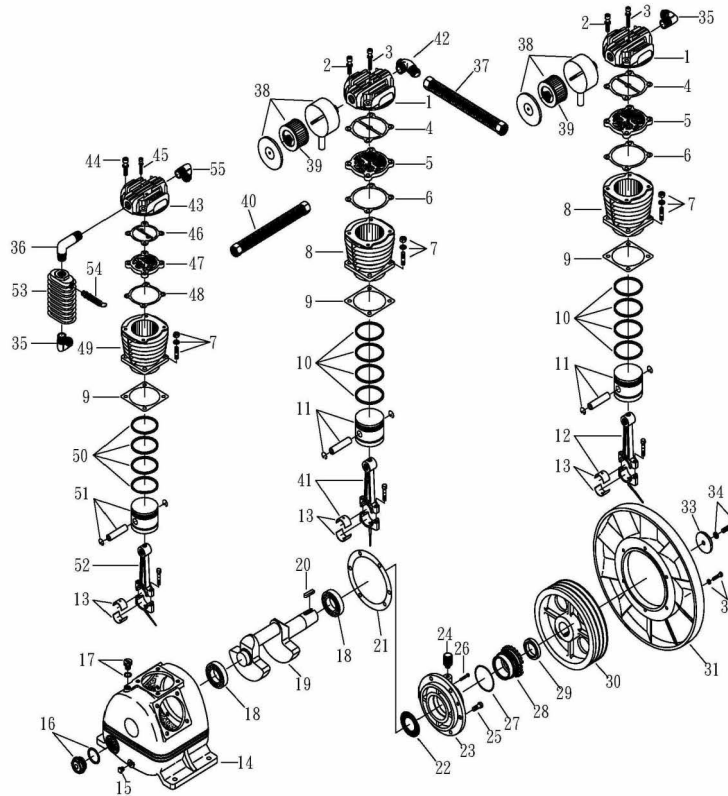


OMEGA COMPRESSORS

For us, it's not just business. It's personal.

MODEL: TK-100

ITEM	TORQUE SPECIFICATIONS
Flywheel	[M-12] 40-42 FT/LBS
Cooling Wheel	[M-8] 22-24 FT/LBS
Rod	[M-10] 10-12 FT/LBS
Exhaust Tube	N/A
Spare Tank	N/A
Bearing Seat	N/A
HP-Cylinder Head	[M-10] 33-37 FT/LBS [M-6] 9-11 FT/LBS
LP-Cylinder Head	[M-12] 43-47 FT/LBS [M-8] 24-26 FT/LBS



SPARE PARTS LIST

NO: QC-1911

REF. NO.	DESCRIPTION	PART NO.	QTY.	REF. NO.	DESCRIPTION	PART NO.	QTY.
1	Cylinder head	3101019	2	29	Oil seal	2N50-TC50*72*12	1
2	Allen bolt set	3B01-M12*055V	8	30	Pulley	3PBF-115B350	1
3	Allen bolt set	3B01-M08*055Z	2	31	Fly wheel	3PBF-516*228	1
4	Cylinder head gasket	2G01-012C	2	32	Hexagon bolt set	3B00-SM08*035AV	6
5	Inlet&Exhaust valve	3B13-AP100	2	33	Pulley washer	2B34-13*75*13	1
6	Valve seat gasket	2G03-006C	2	34	Hexagon bolt set	3B00-SM12*050V	1
7	Double head screw set	3B11-004-A	12	35	Exhaust elbow	2N06-10T10H	2
8	Cylinder	3201016	2	36	Exhaust elbow	2N06-10T10T92	1
9	Cylinder gasket	2G04-010	3	37	Exhaust tube set	3B2-10*265	1
10	Piston ring set	3B32-100	2	38	Air filter	2140011	2
11	Piston set	3B32-100L	2	39	Filter element	2142009	2
12	Rod set	3B33-P7567	1	40	Exhaust tube set	3B2-10*580	1
13	Crank rod bush(2 pieces)	2316002-B	3	41	Rod set	3B33-P7568	1
14	Crankcase	3301019	1	42	Exhaust three way pipe	2N09-10H10T10H3	1
15	Oil draining plug	2N33-002	1	43	Cylinder head	3101030	1
16	Oil sight gauge set	2303015A	1	44	Allen bolt set	3B01-M10*050V	4
17	Oil filling plug set	2319004B	1	45	Allen bolt set	3B01-M06*055Z	2
18	Bearing	2N35-32210	2	46	Cylinder head gasket	2G01-011C	1
19	Crankshaft & balancer	3304027	1	47	In. & Ex. valve assembly	3B13-AP80	1
20	Pulley key	2N47-10*8*40	1	48	Valve seat gasket	2G03-005C	1
21	Rear bearing seat gasket	2G06-003	1	49	Cylinder	3201013	1
22	Oil mesh	2352004	1	50	Piston ring set	3B32-70	1
23	Rear bearing seat	3311007	1	51	Piston set	3B31-T70	1
24	Breathing cover	2321008	1	52	Rod set	3B33-TKA071	1
25	Hexagon bolt	2B00-SM12*030	6	53	Spare tank	3125002	1
26	Hexagon bolt	2B00-SM06*035	1	54	Pressure relief valve	2406020A	1
27	O-Ring	2N52-20*78	1	55	Exhaust elbow	2N06-10T06H	1
28	Thrust ring	3312002	1				