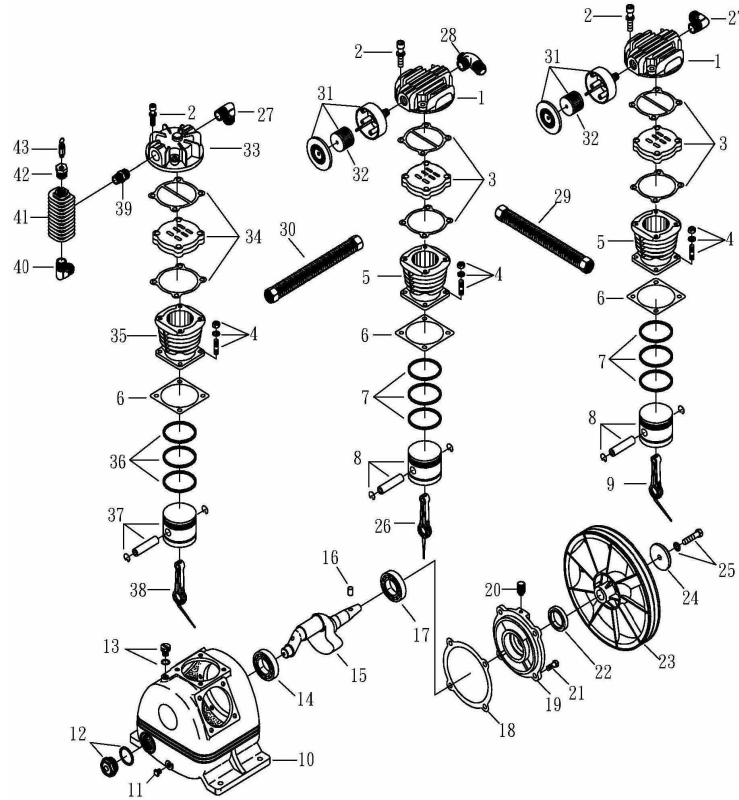


OMEGA COMPRESSORS

For us, it's not just business. It's personal.

MODEL: TE-50

ITEM	TORQUE SPECIFICATIONS
Flywheel	[M-8] 22-24 FT/LBS
Cylinder	[M-8] 22-24 FT/LBS
Bearing Seat	[M-8] 8-10 FT/LBS
Cylinder Head	[M-6] 9-11 FT/LBS



SPARE PARTS LIST

NO: QC-2008

REF. NO.	DESCRIPTION	PART NO.	QTY.	REF. NO.	DESCRIPTION	PART NO.	QTY.
1	Cylinder head	3101045	2	23	Pulley	3PBF-105A224	1
2	Allen bolt	3B01-M06*040V	12	24	Plate washer	2B30-08*35*35	1
3	Inlet&Exhaust valve	3B13-K5065C	2	25	Hexagon bolt set	3B00-SM08*035AV	1
4	Double head screw set	3B11-001-A	12	26	Rod set	3B33-H20371	1
5	Cylinder	3201035	2	27	Exhaust elbow	2N06-04T04H	2
6	Cylinder gasket	2G04-003	3	28	Exhaust 3-way pipe	2N09-04H04T04H2	1
7	Piston ring set	3B32-65N	2	29	Exhaust tube set	3B2-04*195	1
8	Piston set	3B31-65N	2	30	Exhaust tube set	3B2-04*400	1
9	Rod set	3B33-H2048	1	31	Air filter set	2140020A	2
10	Crankcase	3301021	1	32	Filter element	2142013	2
11	Oil draining plug	2N33-002	1	33	Cylinder head	3101090A	1
12	Oil sight gauge set	2303013A	1	34	Inlet&Exhaust valve assembly	3B13-K5051C	1
13	Oil filling plug set	2319003A	1	35	Cylinder	3201039	1
14	Bearing	2N35-6205	1	36	Piston ring set	3B32-51	1
15	Crankshaft & balancer	3304046	1	37	Piston set	3B31-TK2351	1
16	Pulley key	2N47-63*09	1	38	Rod set	3B33-TK2348	1
17	Bearing	2N35-6205Z	1	39	Nipple	2N01-04T04TS	1
18	Bearing seat gasket	2G06-008	1	40	Exhaust elbow	2N06-06T04H	1
19	Rear bearing seat	3311036	1	41	Spare tank	3125007	1
20	Breathing cover	2321008	1	42	Bushing	2N02-002	1
21	Hexagon bolt	2B00-SM08*020	4	43	Pressure relief valve	2406020A	1
22	Oil seal	2N50-TC24*47*07	1				