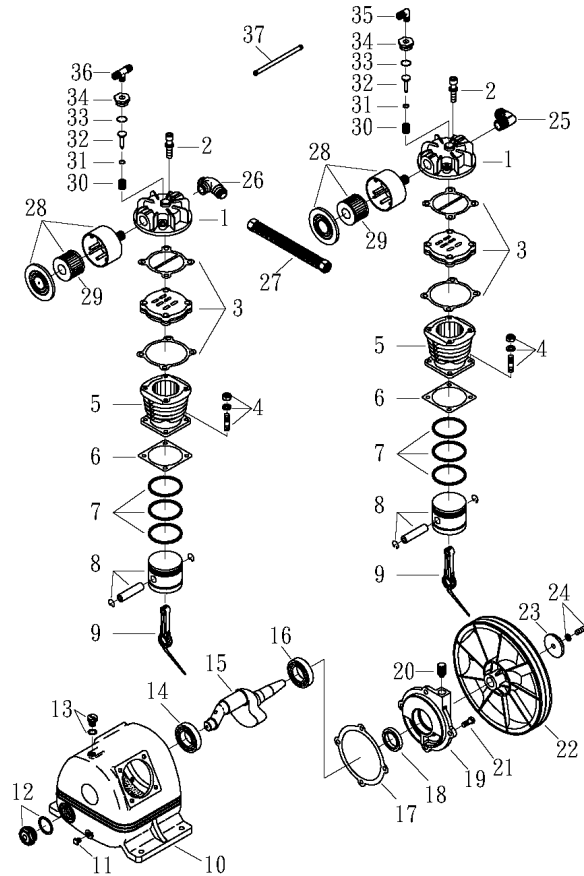


OMEGA COMPRESSORS

For us, it's not just business. It's personal.

ITEM	TORQUE SPECIFICATIONS
Flywheel	[M-8] 22-24 FT/LBS
Cylinder	[M-8] 22-24 FT/LBS
Bearing Seat	[M-8] 8-10 FT/LBS
Cylinder Head	[M-6] 9-11 FT/LBS

MODEL : PUK50



SPARE PARTS LIST

NO : QC-2003

REF. NO.	DESCRIPTION	PART NO.	QTY.	REF. NO.	DESCRIPTION	PART NO.	QTY.
1	Cylinder head	3101084	2	20	Breathing cover	2321008	1
2	Allen bolt set	3B01-M06*040V	8	21	Hexagon blot	2B00-SM08*020	4
3	In. & Ex. valve assembly	3B13-K5051C	2	22	Pulley	3PBF-105A124	1
4	Double head screw set	3B11-001-A	8	23	Plate washer	2B30-08*35*35	1
5	Cylinder	3201036	2	24	Hexagon bolt set	3B00-SM08*035AV	1
6	Cylinder gasket	2G04-002	2	25	Exhaust elbow	2N06-04T04H	1
7	Piston ring set	3B32-51N	2	26	Exhaust three way pipe	2N09-04H04T04HIC	1
8	Piston set	3B31-51N	2	27	Exhaust tube set	3B2-04*215	1
9	Rod set	3B33-H1048	2	28	Air filter set	2140020A	2
10	Crankcase	3301014	1	29	Filter element	2142013	2
11	Oil draining plug	2N33-001	1	30	Unloading spring	2S03-001	2
12	Oil sight gauge set	2303012A	1	31	O-ring	2N52-P06V	2
13	Oil filling plug set	2319003A	1	32	Unloading piston	2113007	1
14	Bearing	2N35-6204	1	33	O-ring	2N52-P16*3V	2
15	Crankshaft & balancer	3304038	1	34	Unloading nut	2B26-001	2
16	Bearing	2N35-6205Z	1	35	Unloading elbow	2N06-01T02H	1
17	Rear bearing seat gasket	2G06-008	1	36	Unloading three way pipe	2N09-02H01T02H4	1
18	Oil seal	2N50-TC24*47*07	1	37	Unloading tube set	3B2-02*430N	1
19	Rear bearing seat	3311034	1				