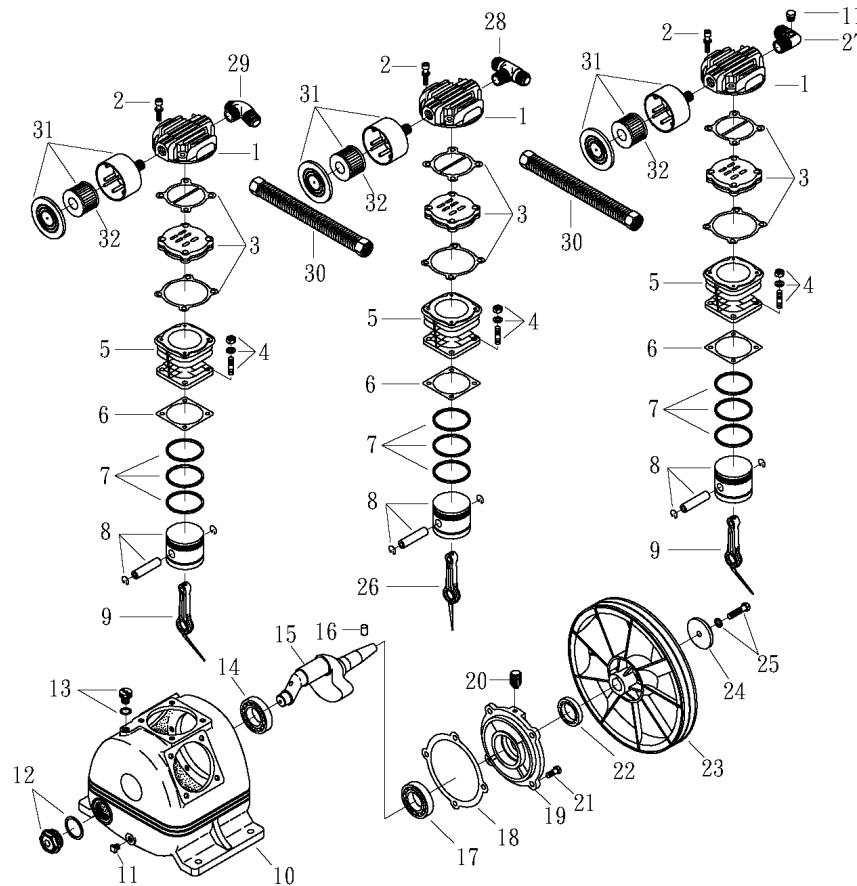


OMEGA COMPRESSORS

For us, it's not just business. It's personal.

ITEM	TORQUE SPECIFICATIONS
Flywheel	[M-8] 22-24 FT/LBS
Cylinder	[M-8] 22-24 FT/LBS
Bearing Seat	[M-8] 8-10 FT/LBS
Cylinder Head	[M-6] 9-11 FT/LBS

MODEL : PK-65



SPARE PARTS LIST

NO : QC-1810

REF. NO.	DESCRIPTION	PART NO.	QTY.	REF. NO.	DESCRIPTION	PART NO.	QTY.
1	Cylinder head	3101045	3	17	Bearing	2N35-6205Z	1
2	Allen bolt set	3B01-M06*040V	12	18	Bearing seat gasket	2G06-008	1
3	Inlet&Exhaust valve assembly	3B13-K5065C	3	19	Bearing seat	3311036	1
4	Double head screw set	3B11-001-A	12	20	Breathing cover	2321008	1
5	Cylinder	3201035	3	21	Hexagon bolt	2B00-SM08*020	4
6	Cylinder gasket	2G04-003	3	22	Oil seal	2N50-TC24*47*07	1
7	Piston ring set	3B32-65N	3	23	Pulley	3PBF-105A224	1
8	Piston set	3B31-65N	3	24	Plate washer	2B30-08*35*35	1
9	Rod set	3B33-H2048	2	25	Hexagon bolt set	3B00-SM08*035AV	1
10	Crankcase	3301021	1	26	Rod set	3B33-H20371	1
11	Oil draining plug	2N33-002	2	27	Exhaust elbow	2N06-04T04H02T	1
12	Oil sight gauge set	2303013A	1	28	Exhaust 3-way pipe	2N09-04H04T04H4	1
13	Oil filling plug set	2319003A	1	29	Exhaust three way pipe	2N09-04H04T04H2	1
14	Bearing	2N35-6205	1	30	Exhaust tube	3B2-04*195	2
15	Crankshaft & balancer	3304046	1	31	Air filter	2140020A	3
16	Pulley key	2N47-63*09	1	32	Filter element	2142013	3