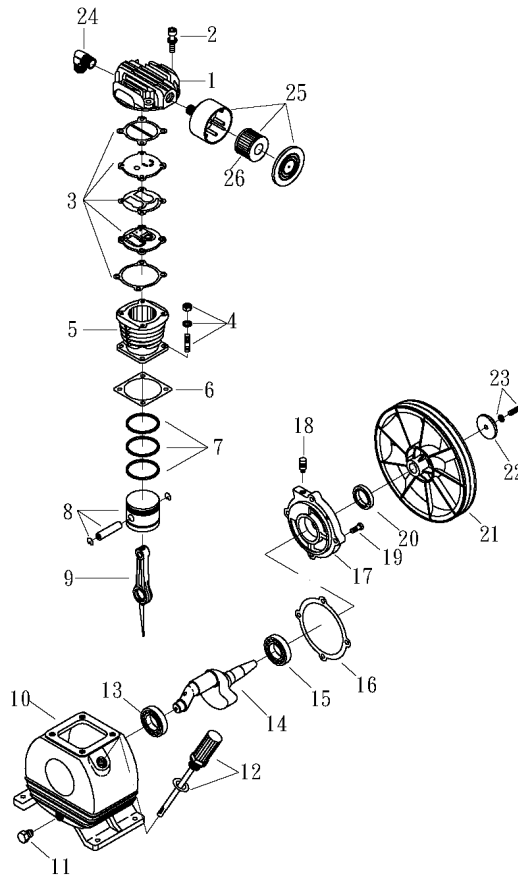


# OMEGA COMPRESSORS

For us, it's not just business. It's personal.

ITEM	TORQUE SPECIFICATIONS
Flywheel	[M-8] 22-24 FT/LBS
Cylinder	[M-8] 22-24 FT/LBS
Bearing Seat	[M-6] 6-8 FT/LBS
Cylinder Head	[M-6] 9-11 FT/LBS

MODEL : PK-30



## SPARE PARTS LIST

NO : QC-1512

REF. NO.	DESCRIPTION	PART NO.	QTY.	REF. NO.	DESCRIPTION	PART NO.	QTY.
1	Cylinder head	3101045	1	14	Crankshaft & balancer	3304041	1
2	Allen bolt set	3B01-M06*040V	4	15	Bearing	2N35-6204Z	1
3	In. & Ex. valve assembly	3B13-AC0765C	1	16	Rear bearing seat gasket	2G06-008	1
4	Double head screw set	3B11-001-A	4	17	Rear bearing seat	3311013	1
5	Cylinder	3201035	1	18	Breathing cover	2321002	1
6	Cylinder gasket	2G04-003	1	19	Hexagon bolt	2B00-SM08*020	4
7	Piston ring set	3B32-65N	1	20	Oil seal	2N50-TC20*40*07	1
8	Piston set	3B31-65N	1	21	Pulley	3PBF-105A120	1
9	Rod set	3B33-H2022	1	22	Plate washer	2B30-08*35*35	1
10	Crankcase	3301013	1	23	Hexagon bolt set	3B00-SM08*035AV	1
11	Oil draining plug	2N33-001	1	24	Exhaust elbow	2N06-04T04H	1
12	Oil filling plug set	2339007A	1	25	Air filter set	2140020A	1
13	Bearing	2N35-6204	1	26	Filter element	2142013	1