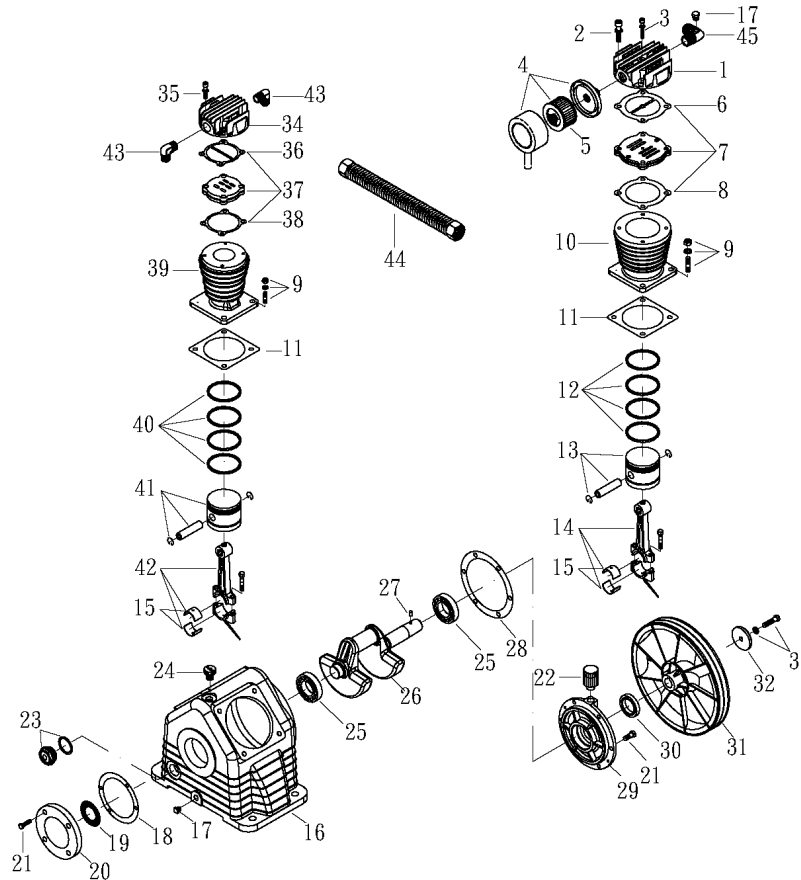


# OMEGA COMPRESSORS

For us, it's not just business. It's personal.

ITEM	TORQUE SPECIFICATIONS
Flywheel	[M-12] 40-42 FT/LBS
Rod	[M-10] 10-12 FT/LBS
Cylinder	[M-8] 22-24 FT/LBS
Bearing Seat	[M-10] 10-12 FT/LBS
HP-Cylinder Head	[M-6] 9-11 FT/LBS
LP-Cylinder Head	[M-10] 33-37 FT/LBS [M-6] 9-11 FT/LBS

MODEL : CT-50



## SPARE PARTS LIST

NO : QC-1807

REF. NO.	DESCRIPTION	PART NO.	QTY.	REF. NO.	DESCRIPTION	PART NO.	QTY.
1	Cylinder head	3101070	1	24	Oil filling plug set	2319003A	1
2	Allen bolt set	3B01-M10*050V	4	25	Bearing	2N35-6206	2
3	Allen bolt set	3B01-M06*052Z	1	26	Crankshaft & balancer	3304093	1
4	Air filter set	2140009	1	27	Pulley key	2N47-63*09	1
5	Filter element	2142002	1	28	Rear bearing seat gasket	2G06-022	1
6	Cylinder head gasket	2G01-029C	1	29	Rear bearing seat	3311039	1
7	In. & Ex. valve assembly	3B13-K9595	1	30	Oil seal	2N50-TC30*50*11	1
8	Valve seat gasket	2G03-020C	1	31	Pulley	3PBF-160A230M	1
9	Double head screw set	3B11-003-A	8	32	Plate washer	2B34-13*52*14	1
10	Cylinder	3201076	1	33	Hexagon bolt set	3B00-SM12*050V	1
11	Cylinder gasket	2G04-023	2	34	Cylinder head	3101069	1
12	Piston ring set	3B32-CK7595	1	35	Allen bolt set	3B01-M06*040V	4
13	Piston set	3B31-CK7595	1	36	Cylinder head gasket	2G01-015C	1
14	Rod set	3B33-CK7548	1	37	In. & Ex. valve assembly	3B13-K5051C	1
15	Rod bush(2 pieces)	2316010-B	2	38	Valve seat gasket	2G03-011H	1
16	Crankcase	3301112	1	39	Cylinder	3201077	1
17	Oil draining plug	2N33-002	2	40	Piston ring set	3B32-CT5051	1
18	Front bearing seat gasket	2G05-017	1	41	Piston set	3B31-CT5051	1
19	Oil mesh	2352001	1	42	Rod set	3B33-CT5048	1
20	Front bearing seat	3309045A	1	43	Exhaust elbow	2N06-06T06H	2
21	Hexagon bolt	2B00-SM08*025	10	44	Exhaust tube set	3B2-06*710	1
22	Breathing cover	2321008	1	45	Exhaust elbow	2N06-06T06H02T	1
23	Oil sight gauge set	2303016A	1				