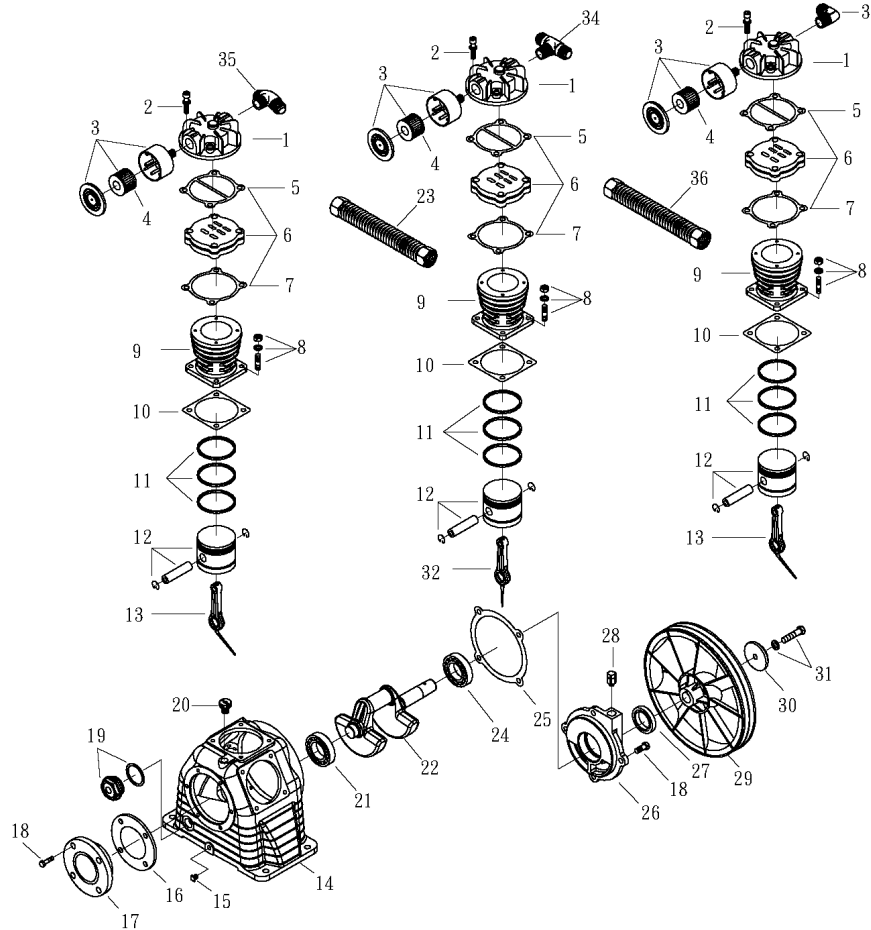


OMEGA COMPRESSORS

For us, it's not just business. It's personal.

ITEM	TORQUE SPECIFICATIONS
Flywheel	[M-8] 22-24 FT/LBS
Cylinder	[M-8] 22-24 FT/LBS
Bearing Seat	[M-8] 8-10 FT/LBS
Cylinder Head	[M-6] 9-11 FT/LBS

MODEL : CK40



SPARE PARTS LIST

NO : QC-1807

REF. NO.	DESCRIPTION	PART NO.	QTY.	REF. NO.	DESCRIPTION	PART NO.	QTY.
1	Cylinder head	3101084A	3	19	Oil sight gauge set	2303012A	1
2	Allen bolt set	3B01-M06*040V	12	20	Oil filling plug set	2319003A	1
3	Air filter set	2140020A	3	21	Bearing	2N35-6205	1
4	Filter element	2142013	3	22	Crankshaft & balancer	3304101	1
5	Cylinder head gasket	2G01-015C	3	23	Exhaust tube set	3B2-04*205	1
6	In. & Ex. valve assembly	3B13-K5065C	3	24	Bearing	2N35-6205Z	1
7	Valve seat gasket	2G03-010H	3	25	Bearing seat gasket	2G06-008	1
8	Double head screw set	3B11-001-A	12	26	Bearing seat	3311034	1
9	Cylinder	3201083	3	27	Oil seal	2N50-TC24*47*07	1
10	Cylinder gasket	2G04-003	3	28	Breathing cover	2321008	1
11	Piston ring set	3B32-65N	3	29	Pulley	3PBF-125A124	1
12	Piston set	3B31-65N	3	30	Plate washer	2B30-08*35*35	1
13	Rod set	3B33-CT30L	2	31	Hexagon bolt set	3B00-SM08*035AV	1
14	Crankcase	3301121	1	32	Rod set	3B33-CT30M	1
15	Oil draining plug	2N33-002	1	33	Exhaust elbow	2N06-04T04H	1
16	Front cover gasket	2G05-020	1	34	Exhaust 3-way pipe	2N09-04H04T04H4	1
17	Front cover	3309044A	1	35	Exhaust 3-way pipe	2N09-04H04T04H2	1
18	Hexagon bolt	2B00-SM08*020	8	36	Exhaust tube set	3B2-04*195	1