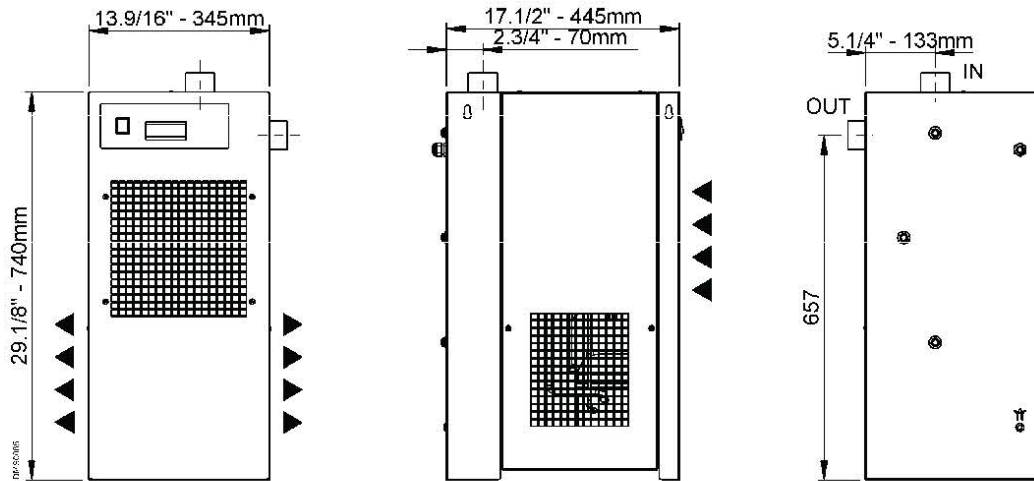


OMEGA COMPRESSORS

For us, it's not just business. It's personal.

REFRIGERATED AIR DRYER AMD-100U AIR COOLED (NEW MODEL)



Air flow at nominal condition ¹	100 Scfm – 170 m ³ /h
Pressure DewPoint at nominal condition ¹	41°F – 5°C
Nominal ambient temperature	100°F – 38°C
Max. ambient temperature	115°F – 45°C
Min. ambient temperature	34°F – 1°C
Nominal inlet air temperature	100 °F – 38°C
Max. inlet air temperature	130 °F – 55°C
Nominal inlet air pressure	100 psig – 7 barg
Max. inlet air pressure	200 psig – 14 barg
Max. outlet air pressure drop - Δp ¹	2.2 psi – 0.15 bar
Inlet-outlet air connection	1.1/4" NPT – F
Refrigerant type and quantity	R134.a 15.1/2 oz – 0.440 kg
Cooling air flow	300 cfm – 500 m ³ /h
Heat Load	5820 Btu/h
Voltages	115/1/60
Nominal electric consumption	0.70kW/8.0A
Max. electric consumption	0.83kW/8.6A
Max. noise level at 401 in – 1 m	< 70 dbA
Weight	86 lbs – 39 kg

¹ The nominal condition refers to an ambient temperature of +100°F with inlet air at 100 psig and 100°F.

Correction factor for inlet air pressure changes:									
Inlet air pressure	psig	60	80	100	120	140	160	180	200
	barg	4.1	5.5	6.9	8.3	9.7	11.0	12.4	13.8
Factor		0.79	0.91	1.00	1.07	1.13	1.18	1.23	1.27
Correction factor for ambient temperature changes :									
Ambient temperature	°F	≤80	90	100	105	110	115		
	°C	≤27	32	38	41	43	46		
Factor		1.12	1.09	1.00	0.93	0.85	0.75		
Correction factor for inlet air temperature changes:									
Air temperature	°F	≤80	90	100	110	120	130		
	°C	≤27	32	38	43	49	54		
Factor		1.24	1.23	1.00	0.81	0.66	0.54		
Correction factor for DewPoint changes:									
DewPoint	°F	38	41	44	47	50			
	°C	3.3	5.0	6.7	8.3	10.0			
Factor		0.92	1.00	1.07	1.16	1.25			