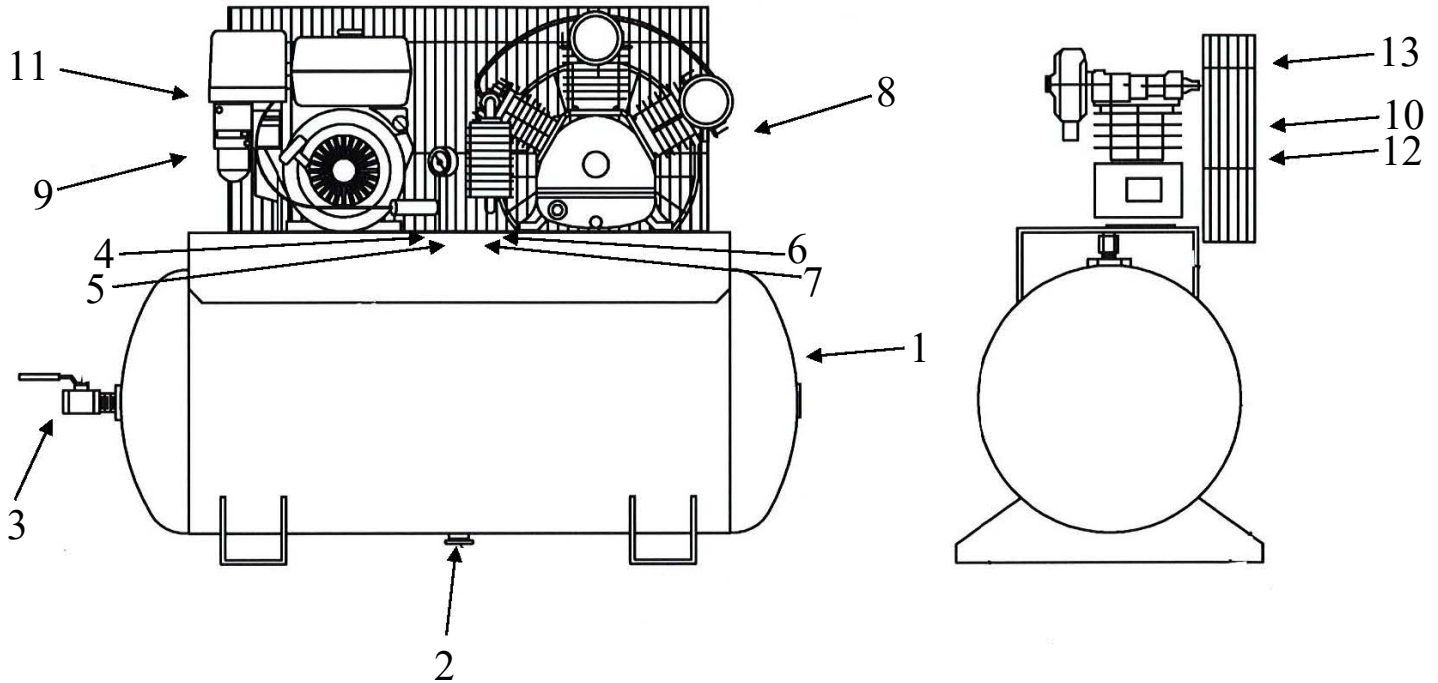


# OMEGA COMPRESSORS

For us, it's not just business. It's personal.

TUK-1330GE



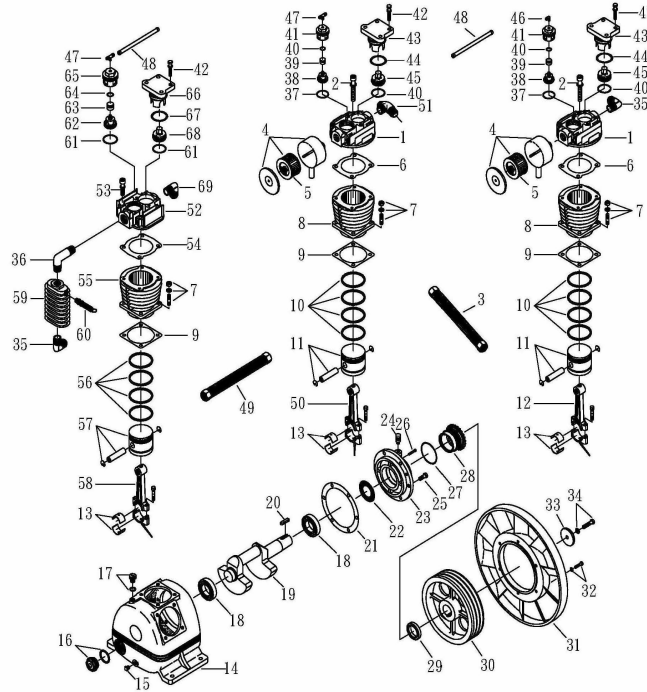
## Spare Parts List

Ref. No.	Description	Part Number	Qty.
1	Horizontal Receiver	AR-H30G	1
2	Ball Valve	BV-25	1
3	Ball Valve	BV-50	1
4	Premium Gauge	GAL-25B2-300	1
5	Safety Valve	SV25-200	1
6	Check Valve	CV-N751075ST	1
7	Pilot Valve	PV25-HP	1
8	Pump	TUK-100	1
9	Gas Engine	GX390KQAE6	1
10	Sheave/Pulley	2MB30X1	1
11	Throttle Control	TCSP-H-0811	1
12	B62 Belt	VBB62	2
13	Belt Guard	BG-3	1

# OMEGA COMPRESSORS

For us, it's not just business. It's personal.

MODEL: TUK-100



## SPARE PARTS LIST

NO: QC-2011

REF. NO	DESCRIPTION	PART NO.	QTY.	REF. NO	DESCRIPTION	PART NO.	QTY.
1	Cylinder head	3101049	2	36	Exhaust elbow	2N06-10T10T92	1
2	Allen bolt set	3B01-M12*065V	8	37	Inlet/Exhaust washer	2B31-002	4
3	Exhaust tube set	3B2-10*250	1	38	Inlet valve assembly	3B12-PU75	2
4	Air filter	2140011	2	39	Unloading piston	2113010	2
5	Filter element	2142009	2	40	O-ring	2N52-P21V	2
6	Cylinder head gasket	2G01-008C	2	41	Inlet valve holder	3110010	2
7	Double head bolt set	3B11-004-A	12	42	Allen bolt set	3B00-SM08*030V	12
8	Cylinder	3201016	2	43	Exhaust press plate	3126005	2
9	Cylinder gasket	2G04-010	3	44	O-Ring	2N52-G55V	2
10	Piston ring set	3B32-100	2	45	Exhaust valve assembly	3B11-HL75	2
11	Piston set	3B31-100L	2	46	Unloading elbow	2N06-01T02H	1
12	Rod set	3B33-P7567	1	47	Unloading 3-way pipe	2N09-02H01T02H4	2
13	Rod bush	2316002-B	3	48	Unloading tube set	3B2-02*475N	2
14	Crankcase	3301019	1	49	Exhaust tube set	3B2-10*580	1
15	Oil draining plug	2N33-002	1	50	Rod set	3B33-P7568	1
16	Oil sight gauge set	2303015A	1	51	Exhaust 3-way pipe	2N09-10H10T10H3	1
17	Oil filling plug set	2319004B	1	52	Cylinder head	3101050	1
18	Bearing	2N35-32210	2	53	Allen bolt set	3B01-M10*055V	4
19	Crankshaft & balancer	3304027	1	54	Cylinder head gasket	2G01-007C	1
20	Pulley key	2N47-10*8*40	1	55	Cylinder	3201013	1
21	Rear bearing seat gasket	2G06-003	1	56	Piston ring set	3B32-70	1
22	Oil mesh	2352004	1	57	Piston set	3B31-T70	1
23	Rear bearing seat	3311007	1	58	Rod set	3B33-TKA071	1
24	Breathing cover	2321008	1	59	Spare tank	3125002	1
25	Hexagon bolt	2B00-SM12*030	6	60	Pressure relief valve	2406020A	1
26	Hexagon bolt	2B00-SM06*035	1	61	Inlet/Exhaust washer	2B31-001	2
27	O-Ring	2N52-20*78	1	62	Inlet valve assembly	3B12-PU23	1
28	Thrust ring	3312002	1	63	Unloading piston	2113009	1
29	Oil seal	2N50-TC50*72*12	1	64	O-Ring	2N52-P18V	1
30	Pulley	3PBF-115B350	1	65	Inlet valve assembly	3110008	1
31	Fly wheel	3PBF-516*228	1	66	Exhaust press plate	3126004	1
32	Hexagon bolt set	3B00-SM08*035AV	6	67	O-Ring	2N52-G45V	1
33	Pulley washer	2B34-13*75*13	1	68	Exhaust valve assembly	3B11-NPP23	1
34	Hexagon bolt set	3B00-SM12*050V	1	69	Exhaust elbow	2N06-10T06H	1
35	Exhaust elbow	2N06-10T10H	2				