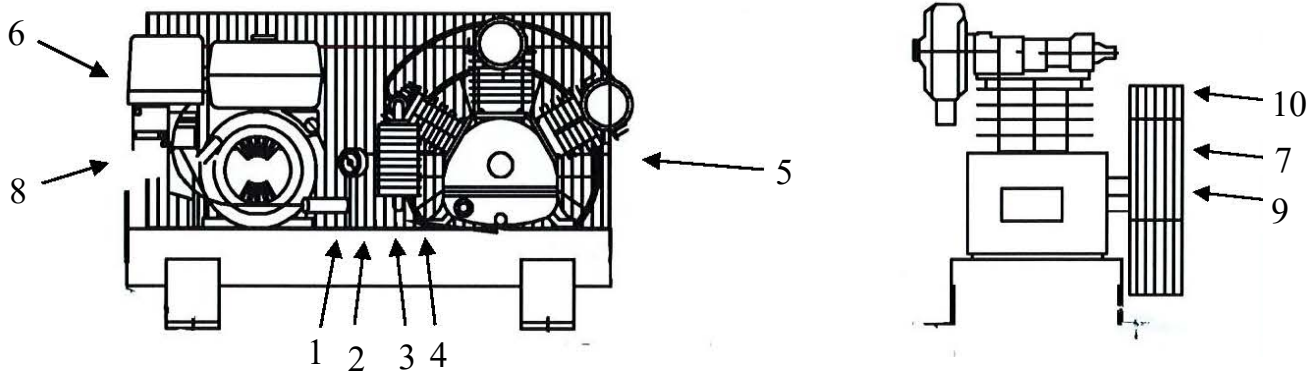


OMEGA COMPRESSORS

For us, it's not just business. It's personal.

TUK-1300GE



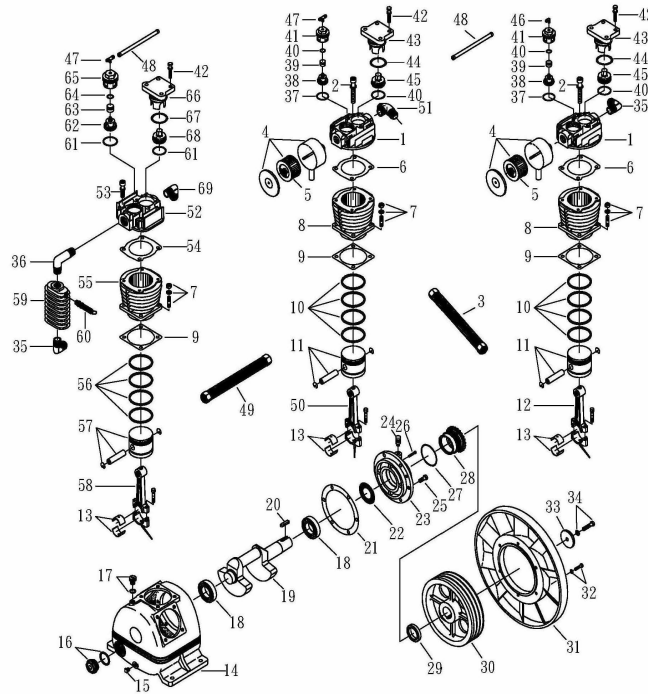
Spare Parts List

| Ref. No. | Description | Part Number | Qty. |
|----------|------------------|--------------|------|
| 1 | Premium Gauge | GAL-25B2-300 | 1 |
| 2 | Safety Valve | SV25-200 | 1 |
| 3 | Check Valve | NLG-1-HP | 1 |
| 4 | Pilot Valve | PV25-LP | 1 |
| 5 | Pump | TUK-100 | 1 |
| 6 | Gas Engine | GX390KQAE6 | 1 |
| 7 | Sheave/Pulley | 2MB30X1 | 1 |
| 8 | Throttle Control | TCSP-H-0811 | 1 |
| 9 | B62 Belt | VBB62 | 2 |
| 10 | Belt Guard | BG-3 | 1 |

OMEGA COMPRESSORS

For us, it's not just business. It's personal.

MODEL: TUK-100



SPARE PARTS LIST

NO: QC-2011

| REF. NO | DESCRIPTION | PART NO. | QTY. | REF. NO | DESCRIPTION | PART NO. | QTY. |
|---------|--------------------------|-----------------|------|---------|------------------------|-----------------|------|
| 1 | Cylinder head | 3101049 | 2 | 36 | Exhaust elbow | 2N06-10T10T92 | 1 |
| 2 | Allen bolt set | 3B01-M12*065V | 8 | 37 | Inlet/Exhaust washer | 2B31-002 | 4 |
| 3 | Exhaust tube set | 3B2-10*250 | 1 | 38 | Inlet valve assembly | 3B12-PU75 | 2 |
| 4 | Air filter | 2140011 | 2 | 39 | Unloading piston | 2113010 | 2 |
| 5 | Filter element | 2142009 | 2 | 40 | O-ring | 2N52-P21V | 2 |
| 6 | Cylinder head gasket | 2G01-008C | 2 | 41 | Inlet valve holder | 3110010 | 2 |
| 7 | Double head bolt set | 3B11-004-A | 12 | 42 | Allen bolt set | 3B00-SM08*030V | 12 |
| 8 | Cylinder | 3201016 | 2 | 43 | Exhaust press plate | 3126005 | 2 |
| 9 | Cylinder gasket | 2G04-010 | 3 | 44 | O-Ring | 2N52-G55V | 2 |
| 10 | Piston ring set | 3B32-100 | 2 | 45 | Exhaust valve assembly | 3B11-HL75 | 2 |
| 11 | Piston set | 3B31-100L | 2 | 46 | Unloading elbow | 2N06-01T02H | 1 |
| 12 | Rod set | 3B33-P7567 | 1 | 47 | Unloading 3-way pipe | 2N09-02H01T02H4 | 2 |
| 13 | Rod bush | 2316002-B | 3 | 48 | Unloading tube set | 3B2-02*475N | 2 |
| 14 | Crankcase | 3301019 | 1 | 49 | Exhaust tube set | 3B2-10*580 | 1 |
| 15 | Oil draining plug | 2N33-002 | 1 | 50 | Rod set | 3B33-P7568 | 1 |
| 16 | Oil sight gauge set | 2303015A | 1 | 51 | Exhaust 3-way pipe | 2N09-10H10T10H3 | 1 |
| 17 | Oil filling plug set | 2319004B | 1 | 52 | Cylinder head | 3101050 | 1 |
| 18 | Bearing | 2N35-32210 | 2 | 53 | Allen bolt set | 3B01-M10*055V | 4 |
| 19 | Crankshaft & balancer | 3304027 | 1 | 54 | Cylinder head gasket | 2G01-007C | 1 |
| 20 | Pulley key | 2N47-10*8*40 | 1 | 55 | Cylinder | 3201013 | 1 |
| 21 | Rear bearing seat gasket | 2G06-003 | 1 | 56 | Piston ring set | 3B32-70 | 1 |
| 22 | Oil mesh | 2352004 | 1 | 57 | Piston set | 3B31-T70 | 1 |
| 23 | Rear bearing seat | 3311007 | 1 | 58 | Rod set | 3B33-TKA071 | 1 |
| 24 | Breathing cover | 2321008 | 1 | 59 | Spare tank | 3125002 | 1 |
| 25 | Hexagon bolt | 2B00-SM12*030 | 6 | 60 | Pressure relief valve | 2406020A | 1 |
| 26 | Hexagon bolt | 2B00-SM06*035 | 1 | 61 | Inlet/Exhaust washer | 2B31-001 | 2 |
| 27 | O-Ring | 2N52-20*78 | 1 | 62 | Inlet valve assembly | 3B12-PU23 | 1 |
| 28 | Thrust ring | 3312002 | 1 | 63 | Unloading piston | 2113009 | 1 |
| 29 | Oil seal | 2N50-TC50*72*12 | 1 | 64 | O-Ring | 2N52-P18V | 1 |
| 30 | Pulley | 3PBF-115B350 | 1 | 65 | Inlet valve assembly | 3110008 | 1 |
| 31 | Fly wheel | 3PBF-516*228 | 1 | 66 | Exhaust press plate | 3126004 | 1 |
| 32 | Hexagon bolt set | 3B00-SM08*035AV | 6 | 67 | O-Ring | 2N52-G45V | 1 |
| 33 | Pulley washer | 2B34-13*75*13 | 1 | 68 | Exhaust valve assembly | 3B11-NPP23 | 1 |
| 34 | Hexagon bolt set | 3B00-SM12*050V | 1 | 69 | Exhaust elbow | 2N06-10T06H | 1 |
| 35 | Exhaust elbow | 2N06-10T10H | 2 | | | | |