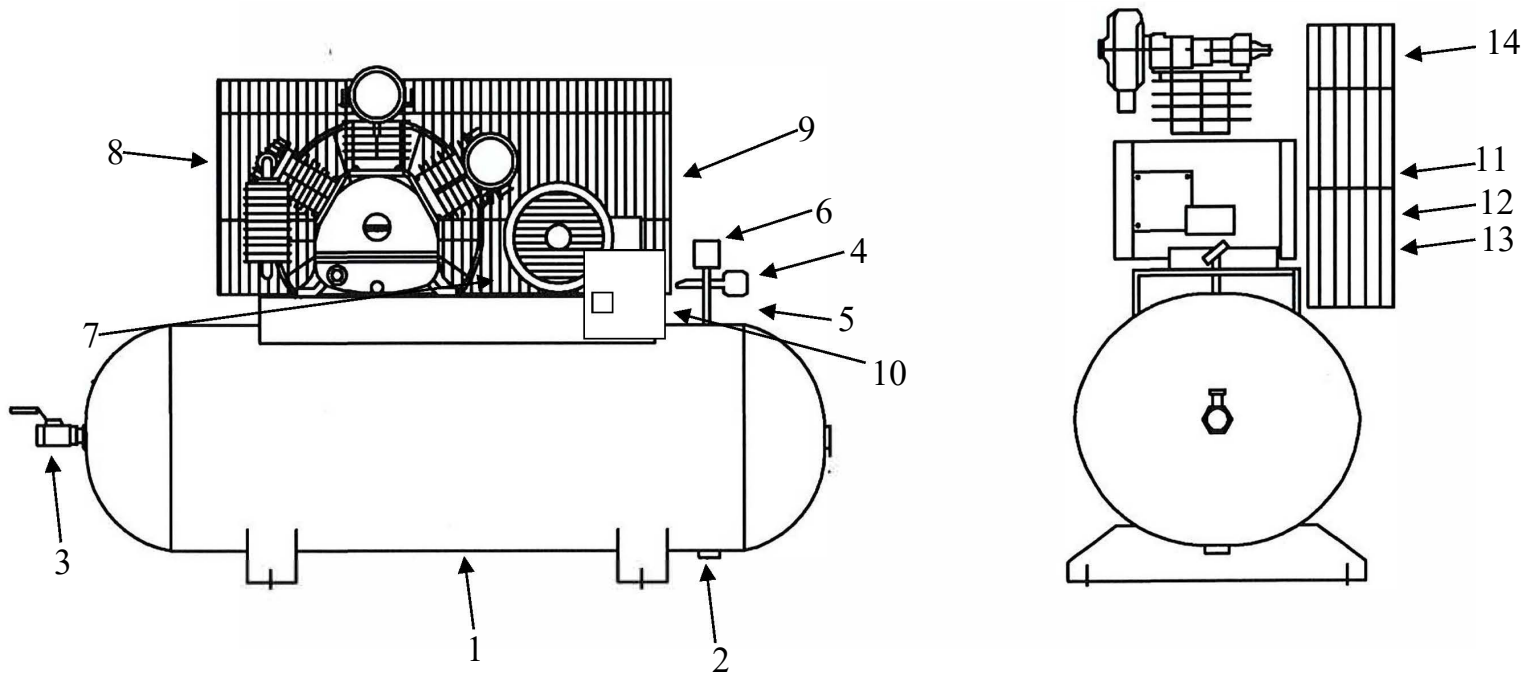


# OMEGA COMPRESSORS

For us, it's not just business. It's personal.

TK-5080



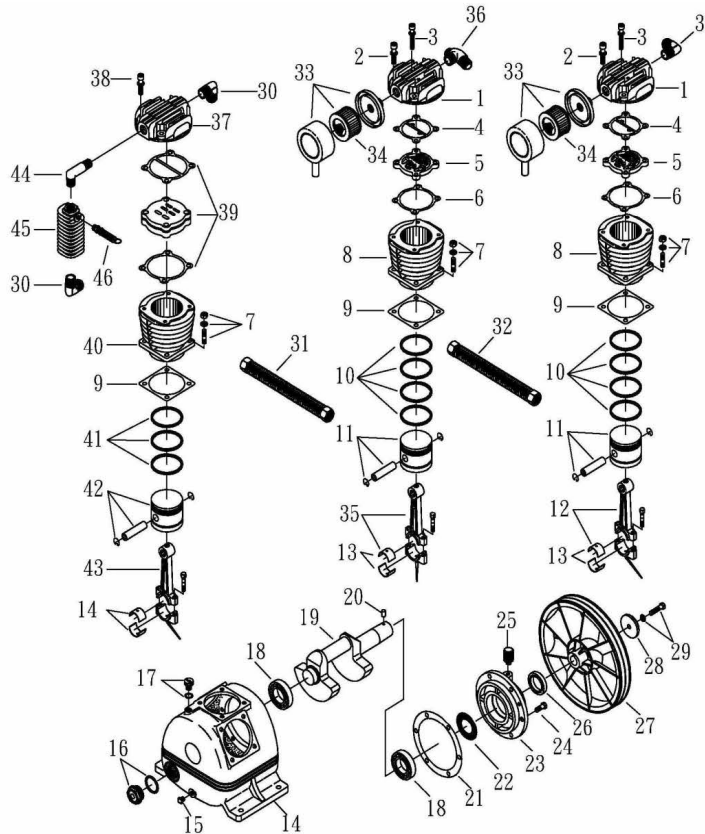
## Spare Parts List

| Ref. No. | Description         | Part Number  | Qty. |
|----------|---------------------|--------------|------|
| 1        | Horizontal Receiver | AR-H80       | 1    |
| 2        | Ball Valve          | BV-25        | 1    |
| 3        | Ball Valve          | BV-75        | 1    |
| 4        | Premium Gauge       | GAD-20B2-300 | 1    |
| 5        | Safety Valve        | SV25-200     | 1    |
| 6        | Pressure Switch     | PSHD-U120150 | 1    |
| 7        | Check Valve         | CV-N751075ST | 1    |
| 8        | Pump                | TK-50        | 1    |
| 9        | Motor               | MO-5-01      | 1    |
|          |                     | MO-5-02      | 1    |
|          |                     | MO-5-03      | 1    |
|          |                     | MO-5-04      | 1    |
|          |                     | MO-5-05      | 1    |
| 10       | Magnetic Starter    | MS-5-01      | 1    |
|          |                     | MS-5-02      | 1    |
|          |                     | MS-5-03      | 1    |
|          |                     | MS-5-04      | 1    |
|          |                     | MS-5-05      | 1    |
| 11       | Sheave/Pulley       | 2MAL82       | 1    |
| 12       | Bushing             | LX1-1/8      | 1    |
| 13       | A69 Belt            | VBA69        | 2    |
| 14       | Belt Guard          | BG-2A        | 1    |

# OMEGA COMPRESSORS

For us, it's not just business. It's personal.

MODEL: TK-50



## SPARE PARTS LIST

NO: QC-1911

| REF. NO. | DESCRIPTION               | PART NO.      | QTY. | REF. NO. | DESCRIPTION              | PART NO.        | QTY. |
|----------|---------------------------|---------------|------|----------|--------------------------|-----------------|------|
| 1        | Cylinder head             | 3101018       | 2    | 24       | Hexagon bolt             | 2B00-SM10*025   | 6    |
| 2        | Allen bolt set            | 3B01-M10*050V | 8    | 25       | Breathing cover          | 2321008         | 1    |
| 3        | Allen bolt set            | 3B01-M06*055Z | 4    | 26       | Oil seal                 | 2N50-TC30*50*11 | 1    |
| 4        | Cylinder head gasket      | 2G01-011C     | 2    | 27       | Pulley                   | 3PBF-145A230M   | 1    |
| 5        | Inlet&Exhaust valve       | 3B13-AP80     | 2    | 28       | Pulley washer            | 2B34-13*52*14   | 1    |
| 6        | Valve seat gasket         | 2G03-005C     | 2    | 29       | Hexagon bolt set         | 3B00-SM12*050V  | 1    |
| 7        | Double head screw set     | 3B11-003-A    | 12   | 30       | Exhaust elbow            | 2N06-06T06H     | 3    |
| 8        | Cylinder                  | 3201015       | 2    | 31       | Exhaust tube set         | 3B2-06*490      | 1    |
| 9        | Cylinder gasket           | 2G04-009      | 3    | 32       | Exhaust tube set         | 3B2-06*235      | 1    |
| 10       | Piston ring set           | 3B32-80N      | 2    | 33       | Air filter               | 2140009         | 2    |
| 11       | Piston set                | 3B31-80L      | 2    | 34       | Filter element           | 2142002         | 2    |
| 12       | Rod set                   | 3B33-P2346    | 1    | 35       | Rod set                  | 3B33-P2337      | 1    |
| 13       | Crank rod bush (2 pieces) | 2316001-B     | 3    | 36       | Exhaust three way pipe   | 2N09-06H06T06H2 | 1    |
| 14       | Crankcase                 | 3301017       | 1    | 37       | Cylinder head            | 3101043         | 1    |
| 15       | Oil draining plug         | 2N33-002      | 1    | 38       | Allen bolt set           | 3B01-M06*040V   | 4    |
| 16       | Oil sight gauge set       | 2303012A      | 1    | 39       | In. & Ex. valve assembly | 3B13-K5065C     | 1    |
| 17       | Oil filling plug set      | 2319004B      | 1    | 40       | Cylinder                 | 3201029         | 1    |
| 18       | Bearing                   | 2N35-6306     | 2    | 41       | Piston ring set          | 3B32-65N        | 1    |
| 19       | Crankshaft & balancer     | 3304025       | 1    | 42       | Piston set               | 3B31-T65        | 1    |
| 20       | Pulley key                | 2N47-63*09    | 1    | 43       | Rod set                  | 3B33-T5048      | 1    |
| 21       | Rear bearing seat gasket  | 2G06-002      | 1    | 44       | Exhaust elbow            | 2N06-06T06T85   | 1    |
| 22       | Oil mesh                  | 2352002       | 1    | 45       | Spare tank               | 3125001         | 1    |
| 23       | Rear bearing seat         | 3311003       | 1    | 46       | Pressure relief valve    | 2406020A        | 1    |