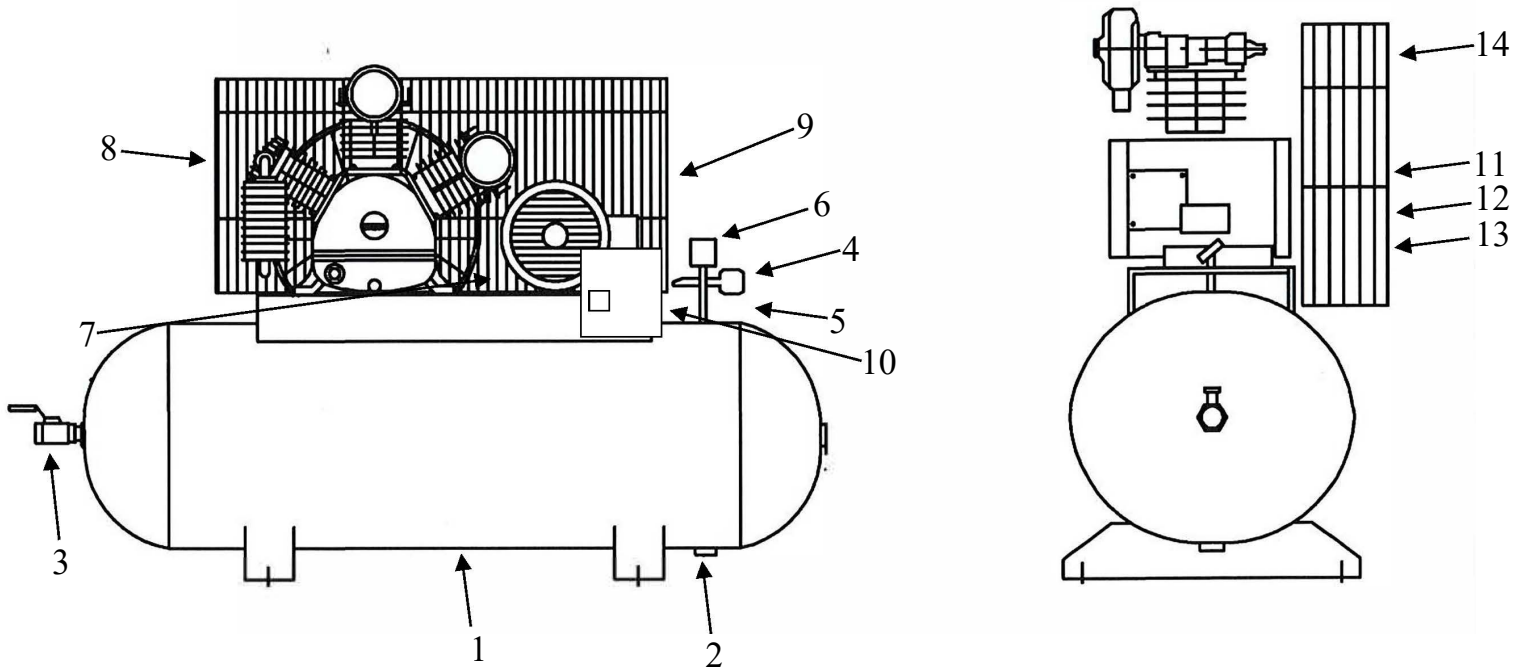


OMEGA COMPRESSORS

For us, it's not just business. It's personal.

TK-10080



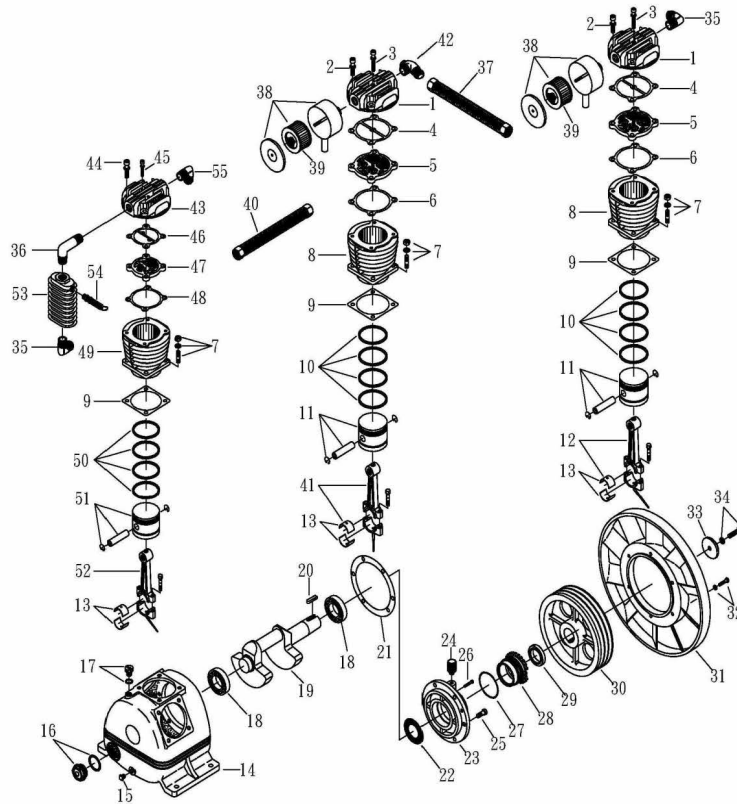
Spare Parts List

| Ref. No. | Description | Part Number | Qty. |
|----------|---------------------|--------------|------|
| 1 | Horizontal Receiver | AR-H80 | 1 |
| 2 | Ball Valve | BV-25 | 1 |
| 3 | Ball Valve | BV-75 | 1 |
| 4 | Premium Gauge | GAD-20B2-300 | 1 |
| 5 | Safety Valve | SV25-200 | 1 |
| 6 | Pressure Switch | PSHD-U120150 | 1 |
| 7 | Check Valve | CV-N7510ST | 1 |
| 8 | Pump | TK-100 | 1 |
| 9 | Motor | MO-10-01 | 1 |
| | | MO-10-02 | 1 |
| | | MO-10-03 | 1 |
| | | MO-10-04 | 1 |
| | | MO-10-05 | 1 |
| 10 | Magnetic Starter | MS-10-01 | 1 |
| | | MS-10-02 | 1 |
| | | MS-10-03 | 1 |
| | | MS-10-04 | 1 |
| | | MS-10-05 | 1 |
| 11 | Sheave/Pulley | 3B54 | 1 |
| 12 | Bushing | SDX1-3/8 | 1 |
| 13 | B60 Belt | VBB60 | 3 |
| 14 | Belt Guard | BG-3 | 1 |

OMEGA COMPRESSORS

For us, it's not just business. It's personal.

MODEL: TK-100



SPARE PARTS LIST

NO: QC-1911

| REF. NO. | DESCRIPTION | PART NO. | QTY. | REF. NO. | DESCRIPTION | PART NO. | QTY. |
|----------|--------------------------|---------------|------|----------|--------------------------|-----------------|------|
| 1 | Cylinder head | 3101019 | 2 | 29 | Oil seal | 2N50-TC50*72*12 | 1 |
| 2 | Allen bolt set | 3B01-M12*055V | 8 | 30 | Pulley | 3PBF-115B350 | 1 |
| 3 | Allen bolt set | 3B01-M08*055Z | 2 | 31 | Fly wheel | 3PBF-516*228 | 1 |
| 4 | Cylinder head gasket | 2G01-012C | 2 | 32 | Hexagon bolt set | 3B00-SM08*035AV | 6 |
| 5 | Inlet&Exhaust valve | 3B13-AP100 | 2 | 33 | Pulley washer | 2B34-13*75*13 | 1 |
| 6 | Valve seat gasket | 2G03-006C | 2 | 34 | Hexagon bolt set | 3B00-SM12*050V | 1 |
| 7 | Double head screw set | 3B11-004-A | 12 | 35 | Exhaust elbow | 2N06-10T10H | 2 |
| 8 | Cylinder | 3201016 | 2 | 36 | Exhaust elbow | 2N06-10T10T92 | 1 |
| 9 | Cylinder gasket | 2G04-010 | 3 | 37 | Exhaust tube set | 3B2-10*265 | 1 |
| 10 | Piston ring set | 3B32-100 | 2 | 38 | Air filter | 2140011 | 2 |
| 11 | Piston set | 3B32-100L | 2 | 39 | Filter element | 2142009 | 2 |
| 12 | Rod set | 3B33-P7567 | 1 | 40 | Exhaust tube set | 3B2-10*580 | 1 |
| 13 | Crank rod bush(2 pieces) | 2316002-B | 3 | 41 | Rod set | 3B33-P7568 | 1 |
| 14 | Crankcase | 3301019 | 1 | 42 | Exhaust three way pipe | 2N09-10H10T10H3 | 1 |
| 15 | Oil draining plug | 2N33-002 | 1 | 43 | Cylinder head | 3101030 | 1 |
| 16 | Oil sight gauge set | 2303015A | 1 | 44 | Allen bolt set | 3B01-M10*050V | 4 |
| 17 | Oil filling plug set | 2319004B | 1 | 45 | Allen bolt set | 3B01-M06*055Z | 2 |
| 18 | Bearing | 2N35-32210 | 2 | 46 | Cylinder head gasket | 2G01-011C | 1 |
| 19 | Crankshaft & balancer | 3304027 | 1 | 47 | In. & Ex. valve assembly | 3B13-AP80 | 1 |
| 20 | Pulley key | 2N47-10*8*40 | 1 | 48 | Valve seat gasket | 2G03-005C | 1 |
| 21 | Rear bearing seat gasket | 2G06-003 | 1 | 49 | Cylinder | 3201013 | 1 |
| 22 | Oil mesh | 2352004 | 1 | 50 | Piston ring set | 3B32-70 | 1 |
| 23 | Rear bearing seat | 3311007 | 1 | 51 | Piston set | 3B31-T70 | 1 |
| 24 | Breathing cover | 2321008 | 1 | 52 | Rod set | 3B33-TKA071 | 1 |
| 25 | Hexagon bolt | 2B00-SM12*030 | 6 | 53 | Spare tank | 3125002 | 1 |
| 26 | Hexagon bolt | 2B00-SM06*035 | 1 | 54 | Pressure relief valve | 2406020A | 1 |
| 27 | O-Ring | 2N52-20*78 | 1 | 55 | Exhaust elbow | 2N06-10T06H | 1 |
| 28 | Thrust ring | 3312002 | 1 | | | | |