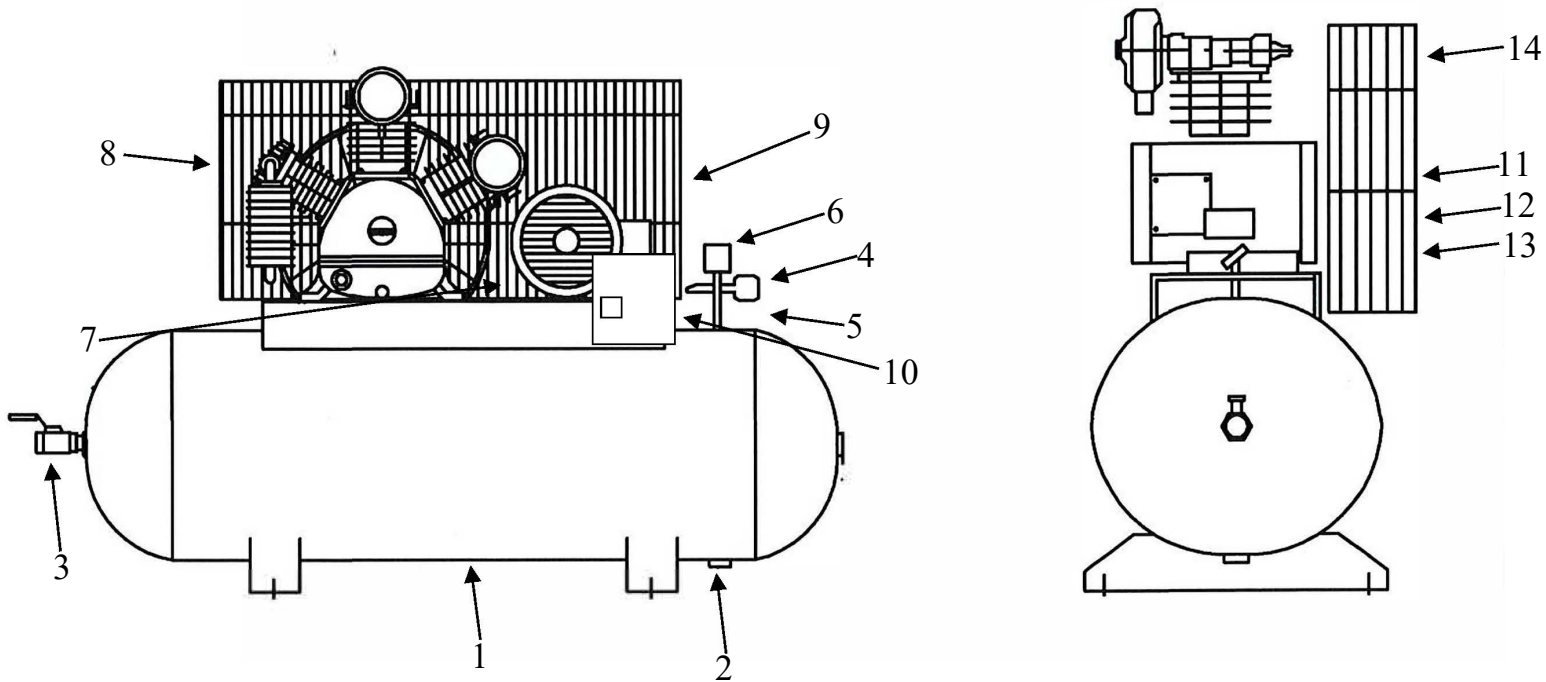


# OMEGA COMPRESSORS

For us, it's not just business. It's personal.

TK-100120



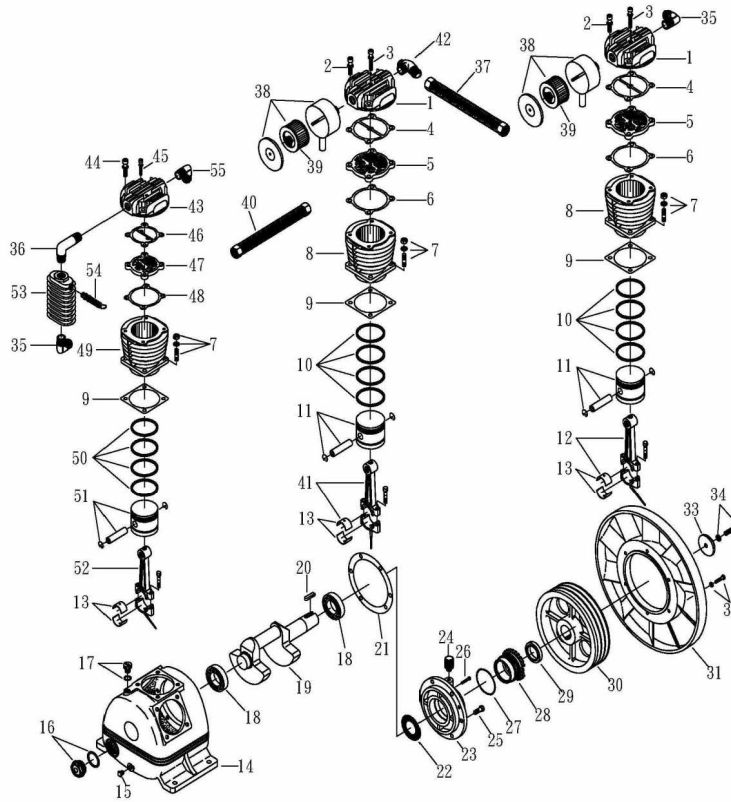
## Spare Parts List

| Ref. No. | Description         | Part Number  | Qty. |
|----------|---------------------|--------------|------|
| 1        | Horizontal Receiver | AR-H120      | 1    |
| 2        | Ball Valve          | BV-25        | 1    |
| 3        | Ball Valve          | BV-75        | 1    |
| 4        | Premium Gauge       | GAD-20B2-300 | 1    |
| 5        | Safety Valve        | SV25-200     | 1    |
| 6        | Pressure Switch     | PSHD-U120150 | 1    |
| 7        | Check Valve         | CV-N7510ST   | 1    |
| 8        | Pump                | TK-100       | 1    |
| 9        | Motor               | MO-10-01     | 1    |
|          |                     | MO-10-02     | 1    |
|          |                     | MO-10-03     | 1    |
|          |                     | MO-10-04     | 1    |
|          |                     | MO-10-05     | 1    |
| 10       | Magnetic Starter    | MS-10-01     | 1    |
|          |                     | MS-10-02     | 1    |
|          |                     | MS-10-03     | 1    |
|          |                     | MS-10-04     | 1    |
|          |                     | MS-10-05     | 1    |
| 11       | Sheave/Pulley       | 3B54         | 1    |
| 12       | Bushing             | SDX1-3/8     | 1    |
| 13       | B70 Belt            | VBB70        | 3    |
| 14       | Belt Guard          | BG-3         | 1    |

# OMEGA COMPRESSORS

For us, it's not just business. It's personal.

MODEL: TK-100



## SPARE PARTS LIST

NO: QC-1911

| REF. NO. | DESCRIPTION              | PART NO.      | QTY. | REF. NO. | DESCRIPTION              | PART NO.        | QTY. |
|----------|--------------------------|---------------|------|----------|--------------------------|-----------------|------|
| 1        | Cylinder head            | 3101019       | 2    | 29       | Oil seal                 | 2N50-TC50*72*12 | 1    |
| 2        | Allen bolt set           | 3B01-M12*055V | 8    | 30       | Pulley                   | 3PBF-115B350    | 1    |
| 3        | Allen bolt set           | 3B01-M08*055Z | 2    | 31       | Fly wheel                | 3PBF-516*228    | 1    |
| 4        | Cylinder head gasket     | 2G01-012C     | 2    | 32       | Hexagon bolt set         | 3B00-SM08*035AV | 6    |
| 5        | Inlet&Exhaust valve      | 3B13-AP100    | 2    | 33       | Pulley washer            | 2B34-13*75*13   | 1    |
| 6        | Valve seat gasket        | 2G03-006C     | 2    | 34       | Hexagon bolt set         | 3B00-SM12*050V  | 1    |
| 7        | Double head screw set    | 3B11-004-A    | 12   | 35       | Exhaust elbow            | 2N06-10T10H     | 2    |
| 8        | Cylinder                 | 3201016       | 2    | 36       | Exhaust elbow            | 2N06-10T10T92   | 1    |
| 9        | Cylinder gasket          | 2G04-010      | 3    | 37       | Exhaust tube set         | 3B2-10*265      | 1    |
| 10       | Piston ring set          | 3B32-100      | 2    | 38       | Air filter               | 2140011         | 2    |
| 11       | Piston set               | 3B32-100L     | 2    | 39       | Filter element           | 2142009         | 2    |
| 12       | Rod set                  | 3B33-P7567    | 1    | 40       | Exhaust tube set         | 3B2-10*580      | 1    |
| 13       | Crank rod bush(2 pieces) | 2316002-B     | 3    | 41       | Rod set                  | 3B33-P7568      | 1    |
| 14       | Crankcase                | 3301019       | 1    | 42       | Exhaust three way pipe   | 2N09-10H10T10H3 | 1    |
| 15       | Oil draining plug        | 2N33-002      | 1    | 43       | Cylinder head            | 3101030         | 1    |
| 16       | Oil sight gauge set      | 2303015A      | 1    | 44       | Allen bolt set           | 3B01-M10*050V   | 4    |
| 17       | Oil filling plug set     | 2319004B      | 1    | 45       | Allen bolt set           | 3B01-M06*055Z   | 2    |
| 18       | Bearing                  | 2N35-32210    | 2    | 46       | Cylinder head gasket     | 2G01-011C       | 1    |
| 19       | Crankshaft & balancer    | 3304027       | 1    | 47       | In. & Ex. valve assembly | 3B13-AP80       | 1    |
| 20       | Pulley key               | 2N47-10*8*40  | 1    | 48       | Valve seat gasket        | 2G03-005C       | 1    |
| 21       | Rear bearing seat gasket | 2G06-003      | 1    | 49       | Cylinder                 | 3201013         | 1    |
| 22       | Oil mesh                 | 2352004       | 1    | 50       | Piston ring set          | 3B32-70         | 1    |
| 23       | Rear bearing seat        | 3311007       | 1    | 51       | Piston set               | 3B31-T70        | 1    |
| 24       | Breathing cover          | 2321008       | 1    | 52       | Rod set                  | 3B33-TKA071     | 1    |
| 25       | Hexagon bolt             | 2B00-SM12*030 | 6    | 53       | Spare tank               | 3125002         | 1    |
| 26       | Hexagon bolt             | 2B00-SM06*035 | 1    | 54       | Pressure relief valve    | 2406020A        | 1    |
| 27       | O-Ring                   | 2N52-20*78    | 1    | 55       | Exhaust elbow            | 2N06-10T06H     | 1    |
| 28       | Thrust ring              | 3312002       | 1    |          |                          |                 |      |