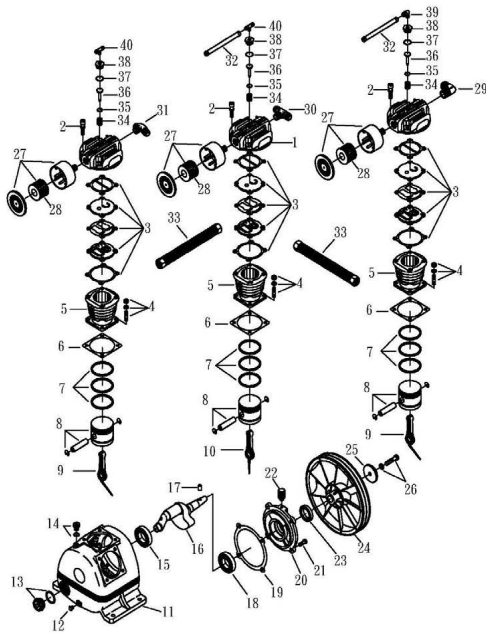


OMEGA COMPRESSORS

For us, it's not just business. It's personal.

MODEL: PUK-9020G(Pump)

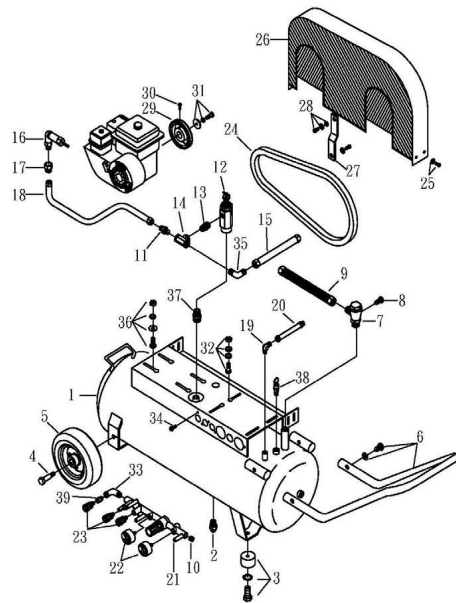


SPARE PARTS LIST

NO. QC-2008

| REF. NO. | DESCRIPTION | PART NO. | QTY. | REF. NO. | DESCRIPTION | PART NO. | QTY. |
|----------|--------------------------|---------------|------|----------|----------------------|-----------------|------|
| 1 | Cylinder head | 3101055 | 3 | 21 | Hexagon bolt | 2B00-SM08*020 | 4 |
| 2 | Allen bolt set | 3B01-M06*040V | 12 | 22 | Breathing cover | 2321008 | 4 |
| 3 | In. & Ex. valve assembly | 3B13-AC0765C | 3 | 23 | Oil seal | 2N50-TC24*47*07 | 1 |
| 4 | Double head screw | 3B11-001-A | 12 | 24 | Pulley | 3PBF-105A224 | 1 |
| 5 | Cylinder | 3201035 | 3 | 25 | Plate washer | 2B30-08*35*35 | 1 |
| 6 | Cylinder gasket | 2G04-003 | 3 | 26 | Hexagon bolt set | 3B00-SM08*035AV | 1 |
| 7 | Piston ring set | 3B32-65N | 3 | 27 | Air filter set | 2140020A | 1 |
| 8 | Piston set | 3B31-65N | 3 | 28 | Filter element | 2142013 | 3 |
| 9 | Rod set | 3B33-H2048 | 2 | 29 | Exhaust elbow | 2N06-04T04HSS | 1 |
| 10 | Rod set | 3B33-H20371 | 1 | 30 | Exhaust 3-way pipe | 2N09-04H04T04H4 | 1 |
| 11 | Crankcase | 3301021 | 1 | 31 | Exhaust 3-way pipe | 2N09-04H04T04H2 | 1 |
| 12 | Oil draining plug | 2N33-002 | 1 | 32 | Unloading tube set | 3B2-02*380N | 2 |
| 13 | Oil sight gauge set | 2303013A | 1 | 33 | Exhaust tube set | 3B2-04*195 | 2 |
| 14 | Oil filling plug set | 2319003A | 1 | 34 | Unloading spring | 2S03-001 | 3 |
| 15 | Bearing | 2N35-6205 | 1 | 35 | O-ring | 2N52-P06V | 3 |
| 16 | Crankshaft & balancer | 3304046 | 1 | 36 | Unloading piston | 2113006 | 3 |
| 17 | Pulley key | 2N47-63*09 | 1 | 37 | O-ring | 2N52-P16*3V | 3 |
| 18 | Bearing | 2N35-6205Z | 1 | 38 | Unloading nut | 2B26-001 | 3 |
| 19 | Bearing seat gasket | 2G06-008 | 1 | 39 | Unloading elbow | 2N06-01T02H | 1 |
| 20 | Bearing seat | 3311036 | 1 | 40 | Unloading 3-way pipe | 2N09-02H01T02H4 | 2 |

MODEL: PUK-9020G(Receiver Tank)



SPARE PARTS LIST

NO. QC-2008

| REF. NO. | DESCRIPTION | PART NO. | QTY. | REF. NO. | DESCRIPTION | PART NO. | QTY. |
|----------|--------------------|-----------------|------|----------|-----------------------|------------------|------|
| 1 | Air tank | 3A0-3401A083UQC | 1 | 21 | Regulator | 2408028 | 1 |
| 2 | Drain valve | 2405011 | 1 | 22 | Pressure gauge | 2D12-20D200IQ | 2 |
| 3 | Rubber pad set | 3433015-A | 2 | 23 | Quick coupler | 07MSO14M-B | 3 |
| 4 | Tank wheel bolt | 2418005 | 2 | 24 | V-belt | 2N31-A55 | 2 |
| 5 | Tank wheel | 2402032B | 2 | 25 | Hexagon bolt set | 3B00-FM08*015V | 5 |
| 6 | Grip set | 3432080-A | 1 | 26 | Belt guard | 3426044 | 1 |
| 7 | Check valve | 2414025RT | 1 | 27 | Bracket | 3427043A | 1 |
| 8 | Plug | 2N33-001 | 1 | 28 | Hexagon bolt set | 3B00-SM06*015VW | 1 |
| 9 | Exhaust tube set | 3B2-04*400 | 1 | 29 | Engine pulley | 3P MF-040A2W1020 | 1 |
| 10 | Plug | 2B14-ST02E | 1 | 30 | Allen bolt | 2B01-M08*016 | 2 |
| 11 | Nipple | 2N15-C01TW02M | 1 | 31 | Hexagon bolt set | 3B00-FW035S*12VW | 1 |
| 12 | Unloading valve | 2407007 | 1 | 32 | Motor feet bolt set | 3B08-FM08*30-B | 4 |
| 13 | Nipple | 2N01-01N01N | 1 | 33 | Elbow | 2N08-02T02TEC | 1 |
| 14 | Brass 3-way pipe | 2N03-C111NF | 1 | 34 | Hexagon bolt | 2B00-FM06*012W | 4 |
| 15 | Unloading tube set | 3B2-02*260N | 1 | 35 | Unloading elbow | 2N06-01T02H | 1 |
| 16 | Idling device | 2423031 | 1 | 36 | Motor feet bolt set | 3B08-FM10*45-G | 4 |
| 17 | Idling device nut | 2B23-CW02FPU | 1 | 37 | Nipple | 2N01-002 | 1 |
| 18 | Tube | 3T03-W02*0750G | 1 | 38 | Pressure relief valve | 2406018A | 1 |
| 19 | Exhaust elbow | 2N06-03T03H | 1 | 39 | Bushing | 2N02-02T02NC | 1 |
| 20 | Tube | 2T06-035 | 1 | | | | |