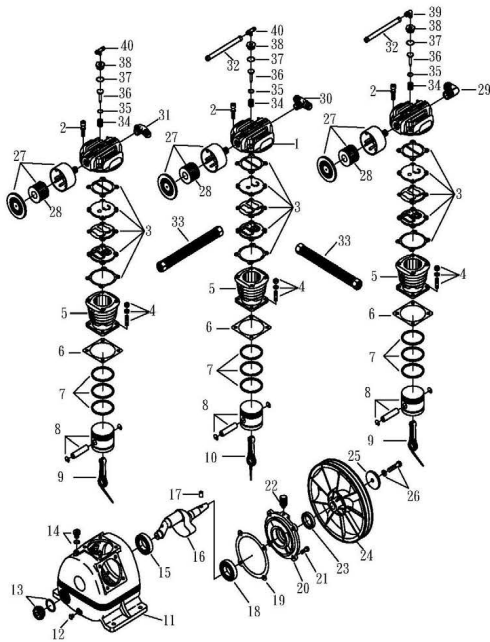


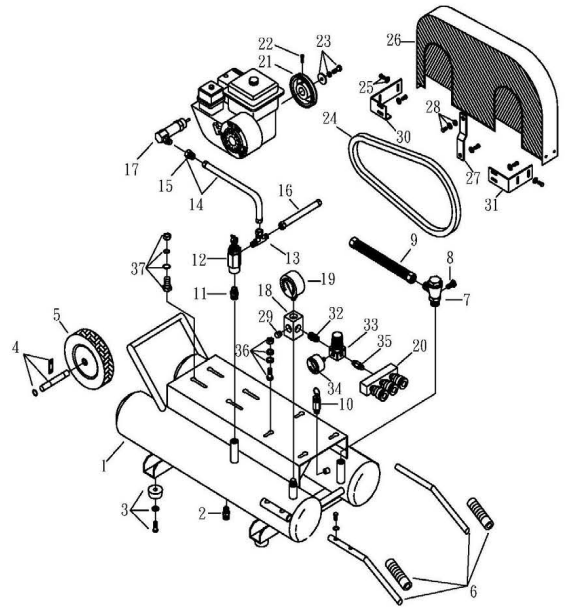
OMEGA COMPRESSORS

For us, it's not just business. It's personal.

MODEL: PUK-9008G(Pump)



MODEL: PUK-9008G(Receiver Tank)



SPARE PARTS LIST

NO: QC-2101

| REF. NO. | DESCRIPTION | PART NO. | QTY. | REF. NO. | DESCRIPTION | PART NO. | QTY. |
|----------|--------------------------|---------------|------|----------|----------------------|-----------------|------|
| 1 | Cylinder head | 3101055 | 3 | 21 | Hexagon bolt | 2B00-SM08*020 | 4 |
| 2 | Allen bolt set | 3B01-M06*040V | 12 | 22 | Breathing cover | 2321008 | 1 |
| 3 | In. & Ex. valve assembly | 3B13-AC0765C | 2 | 23 | Oil seal | 2N50-TC24*47*07 | 1 |
| 4 | Double head screw | 3B11-001-A | 12 | 24 | Pulley | 3PBF-105A224 | 1 |
| 5 | Cylinder | 3201035 | 3 | 25 | Plate washer | 2B30-08*35*35 | 1 |
| 6 | Cylinder gasket | 2G04-003 | 3 | 26 | Hexagon bolt set | 3B00-SM08*035AV | 1 |
| 7 | Piston ring set | 3B32-65N | 3 | 27 | Air filter set | 2140020A | 3 |
| 8 | Piston set | 3B31-65N | 3 | 28 | Filter element | 2142013 | 3 |
| 9 | Rod set | 3B33-H2048 | 2 | 29 | Exhaust elbow | 2N06-04T04HSS | 1 |
| 10 | Rod set | 3B33-H20371 | 1 | 30 | Exhaust 3-way pipe | 2N09-04H04T04H4 | 1 |
| 11 | Crankcase | 3301021 | 1 | 31 | Exhaust 3-way pipe | 2N09-04H04T04H2 | 1 |
| 12 | Oil draining plug | 2N33-002 | 1 | 32 | Unloading tube set | 3B2-02*380N | 2 |
| 13 | Oil sight gauge set | 2303013A | 1 | 33 | Exhaust tube set | 3B2-04*195 | 2 |
| 14 | Oil filling plug set | 2319003A | 1 | 34 | Unloading spring | 2S03-001 | 3 |
| 15 | Bearing | 2N35-6205 | 1 | 35 | O-ring | 2N52-P06V | 3 |
| 16 | Crankshaft & balancer | 3304046 | 1 | 36 | Unloading piston | 2113006 | 2 |
| 17 | Pulley key | 2N47-63*09 | 1 | 37 | O-ring | 2N52-P16*3V | 3 |
| 18 | Bearing | 2N35-6205Z | 1 | 38 | Unloading nut | 2B26-001 | 3 |
| 19 | Bearing seat gasket | 2G06-008 | 1 | 39 | Unloading elbow | 2N06-01T02H | 1 |
| 20 | Bearing seat | 3311036 | 1 | 40 | Unloading 3-way pipe | 2N09-02H01T02H4 | 2 |

SPARE PARTS LIST

NO: QC-2101

| REF. NO. | DESCRIPTION | PART NO. | QTY. | REF. NO. | DESCRIPTION | PART NO. | QTY. |
|----------|-----------------------|-----------------|------|----------|---------------------|------------------|------|
| 1 | Air tank | 3A0-3401345QC | 1 | 20 | Quick coupler | 07MQC3B-C | 1 |
| 2 | Drain valve | 2405011 | 2 | 21 | Engine pulley | 3PGF-045A2W1020 | 1 |
| 3 | Rubber pad set | 3433015-A | 4 | 22 | Hexagon bolt | 2B07-SM08*16 | 2 |
| 4 | Tank wheel axis set | 3418022-A | 1 | 23 | Hexagon bolt set | 3B00-FW035S*12VV | 1 |
| 5 | Wheel wheel | 2402038H | 1 | 24 | V-belt | 2N31-A57 | 2 |
| 6 | Grip set | 3432062-A | 1 | 25 | Hexagon bolt set | 3B00-FM08*015W | 9 |
| 7 | Check valve | 2414025T | 1 | 26 | Belt guard | 3426052 | 1 |
| 8 | Plug | 2N33-001 | 1 | 27 | Bracket | 3427043A | 1 |
| 9 | Exhaust tube set | 3B2-04*420 | 1 | 28 | Hexagon bolt set | 3B00-SM06*020VV | 1 |
| 10 | Pressure relief valve | 2406018A | 1 | 29 | Plug | 2B14-ST03E | 1 |
| 11 | Nipple | 2N01-002 | 1 | 30 | Set bracket | 3427046 | 1 |
| 12 | Pilot valve | 2407007 | 1 | 31 | Set bracket | 3427045 | 1 |
| 13 | Male run tee | 2N17-C01NW2M02H | 1 | 32 | Nipple | 2N01-02T02T050 | 1 |
| 14 | Tube set | 3T03-W02*0750G | 1 | 33 | Regulator | 2408025L | 1 |
| 15 | Idling device nut | 2B23-CW02FPU | 1 | 34 | Pressure gauge | 2D12-15D200IQ | 1 |
| 16 | Unloading tube set | 3B2-02*220 | 1 | 35 | Nipple | 2N01-001 | 1 |
| 17 | Idling device | 2423031 | 1 | 36 | Motor feet bolt set | 3B08-FM08*30-B | 4 |
| 18 | Brass 4-way pipe | 2N04-C2234N | 1 | 37 | Motor feet bolt set | 3B08-FM10*45-G | 4 |
| 19 | Pressure gauge | 2D12-25V300ILQ | 1 | | | | |