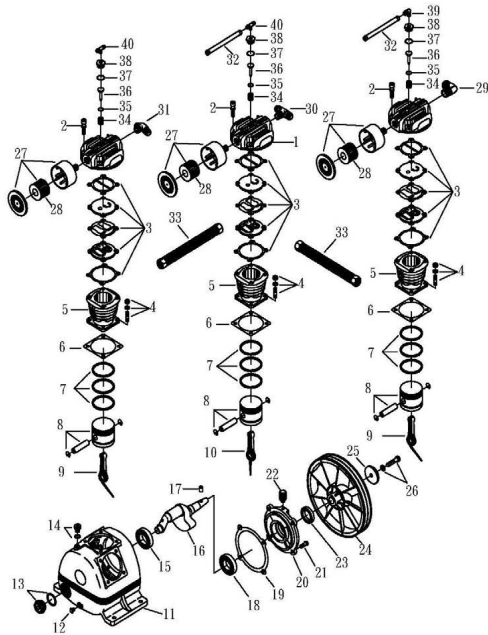


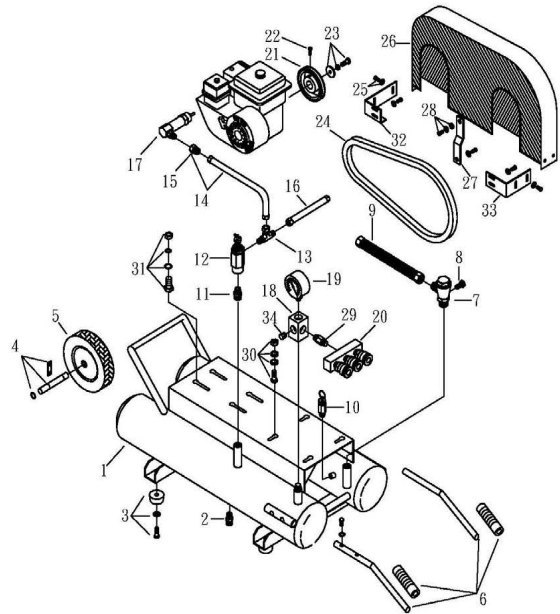
OMEGA COMPRESSORS

For us, it's not just business. It's personal.

MODEL: PUK-8008GE(Pump)



MODEL: PUK-8008GE(Receiver Tank)



SPARE PARTS LIST

NO: QC-1910

REF. NO.	DESCRIPTION	PART NO.	QTY.	REF. NO.	DESCRIPTION	PART NO.	QTY.
1	Cylinder head	3101055	3	21	Hexagon bolt	2B00-SM08*020	4
2	Allen bolt set	3B01-M06*040V	12	22	Breathing cover	2321008	1
3	In. & Ex. valve assembly	3B13-AC0765C	2	23	Oil seal	2N50-TC24*47*07	1
4	Double head screw	3B11-001-A	12	24	Pulley	3PBF-105A224	1
5	Cylinder	3201035	3	25	Plate washer	2B30-08*35*35	1
6	Cylinder gasket	2G04-003	3	26	Hexagon bolt set	3B00-SM08*035AV	1
7	Piston ring set	3B32-65N	3	27	Air filter set	2140020A	3
8	Piston set	3B31-65N	3	28	Filter element	2142013	3
9	Rod set	3B33-H2048	2	29	Exhaust elbow	2N06-04T04HSS	1
10	Rod set	3B33-H20371	1	30	Exhaust 3-way pipe	2N09-04H04T04H4	1
11	Crankcase	3301021	1	31	Exhaust 3-way pipe	2N09-04H04T04H2	1
12	Oil draining plug	2N33-002	1	32	Unloading tube set	3B2-02*380N	2
13	Oil sight gauge set	2303013A	1	33	Exhaust tube set	3B2-04*195	2
14	Oil filling plug set	2319003A	1	34	Unloading spring	2S03-001	3
15	Bearing	2N35-6205	1	35	O-ring	2N52-P06V	3
16	Crankshaft & balancer	3304046	1	36	Unloading piston	2113006	2
17	Pulley key	2N47-63*09	1	37	O-ring	2N52-P16*3V	3
18	Bearing	2N35-6205Z	1	38	Unloading nut	2B26-001	3
19	Bearing seat gasket	2G06-008	1	39	Unloading elbow	2N06-01T02H	1
20	Bearing seat	3311036	1	40	Unloading 3-way pipe	2N09-02H01T02H4	2

SPARE PARTS LIST

NO: QC-1910

REF. NO.	DESCRIPTION	PART NO.	QTY.	REF. NO.	DESCRIPTION	PART NO.	QTY.
1	Air tank	3A0-3401345QC	1	18	Brass 4-way pipe	2N04-C2234N	1
2	Drain valve	2405011	2	19	Pressure gauge	2D12-25V300ILQ	1
3	Rubber pad set	3433015-A	4	20	Quick coupler	07MOC3B-C	1
4	Tank wheel axis set	3418022-A	1	21	Engine pulley	3PGF-040A2W1020	1
5	Theel wheel	2402038H	1	22	Hexagon bolt	2B07-SM08*16	2
6	Grip set	3432062-A	1	23	Hexagon bolt set	3B00-FW035S*12VW	1
7	Check valve	2414025T	1	24	V-belt	2N31-A56	2
8	Plug	2N33-001	1	25	Hexagon bolt set	3B00-FM08*015W	9
9	Exhaust tube set	3B2-04*420	1	26	Belt guard	3426052	1
10	Pressure relief valve	2406018A	1	27	Bracket	3427043A	1
11	Nipple	2N01-002	1	28	Hexagon bolt set	3B00-SM06*020VW	1
12	Unloading valve	2407007	1	29	Nipple	2N01-02T03TS	1
13	Male run tee	2N17-C01NW2M02H	1	30	Motor feet bolt set	3B08-FM08*30-B	4
14	Tube	3T03-W02*0750G	1	31	Motor feet bolt set	3B08-FM10*38-G	4
15	Idling device nut	2B23-CW02FPU	1	32	Set bracket	3427046	1
16	Unloading tube set	3B2-02*220N	1	33	Set bracket	3427045	1
17	Idling device	2423031	1	34	Plug	2N33-009	1