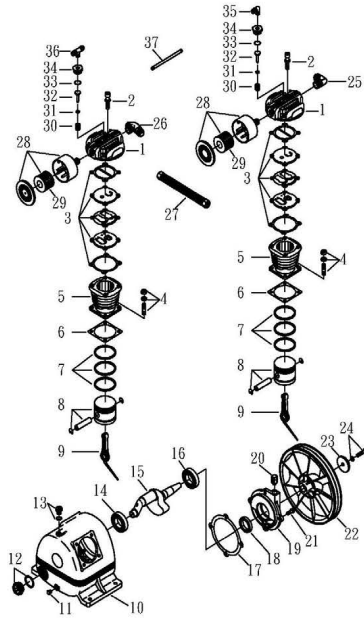


OMEGA COMPRESSORS

For us, it's not just business. It's personal.

MODEL: PUK-5520G(Pump)

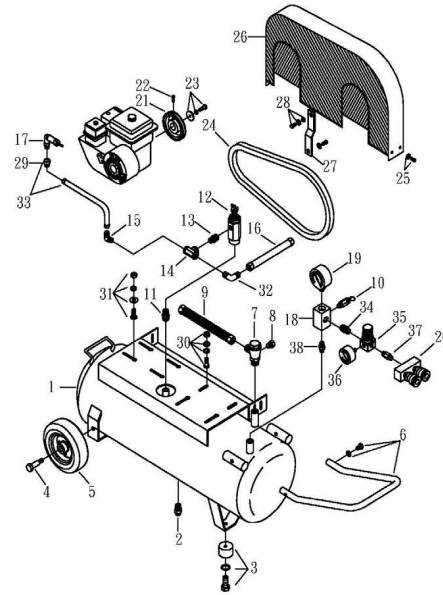


SPARE PARTS LIST

NO: QC-2104

REF. NO.	DESCRIPTION	PART NO.	QTY.	REF. NO.	DESCRIPTION	PART NO.	QTY.
1	Cylinder head	3101055	2	20	Breathing cover	2321008	1
2	Allen bolt set	3B01-M08*040V	8	21	Hexagon blot	2B00-SM08*020	4
3	In. & Ex. valve assembly	3B13-AC0765C	2	22	Pulley	3PBF-105A124	1
4	Double head screw set	3B11-001-A	8	23	Plate washer	2B30-08*35*35	1
5	Cylinder	3201035	2	24	Hexagon bolt set	3B00-SM08*035AV	1
6	Cylinder gasket	2G04-003	2	25	Exhaust elbow	2N06-04T04H	1
7	Piston ring set	3B32-65N	2	26	Exhaust three way pipe	2N09-04H04T04H1C	1
8	Piston set	3B31-65N	2	27	Exhaust tube set	3B2-04*240	1
9	Rod set	3B33-H20601	2	28	Air filter set	2140020A	2
10	Crankcase	3301015	1	29	Filter element	2142013	2
11	Oil draining plug	2N33-001	1	30	Unloading spring	2S03-001	2
12	Oil sight gauge set	2303012A	1	31	O-ring	2N52-P06V	2
13	Oil filling plug set	2319003A	1	32	Unloading piston	2113006	2
14	Bearing	2N35-6204	1	33	O-ring	2N52-P16*3V	2
15	Crankshaft & balancer	3304038	1	34	Unloading nut	2B26-001	2
16	Bearing	2N35-6205Z	1	35	Unloading elbow	2N06-01T02H	1
17	Rear bearing seat gasket	2G06-008	1	36	Unloading three way pipe	2N09-02H01T02H4	1
18	Oil seal	2N50-TC24*47*07	1	37	Unloading tube set	3B2-02*475N	1
19	Rear bearing seat	3311034	1				

MODEL: PUK-5520G(Receiver Tank)



SPARE PARTS LIST

NO: QC-2104

REF. NO.	DESCRIPTION	PART NO.	QTY.	REF. NO.	DESCRIPTION	PART NO.	QTY.
1	Air tank	3A0-3401A079UQC	1	20	Quick coupler	07MQC2B-C	1
2	Drain valve	2405011	1	21	Engine pulley	3PGF-040A1W0615	1
3	Rubber pad set	3433015-A	4	22	Hexagon bolt	2B07-SM08*16	2
4	Tank wheel bolt	2418005	2	23	Hexagon bolt set	3B00-FW025S*10VW	1
5	Theel wheel	2402032B	2	24	V-belt	2N31-A50	1
6	Grip set	3432080A-A	1	25	Hexagon bolt set	3B00-FM08*015W	5
7	Check valve	2414025T	1	26	Belt guard	3428013A	1
8	Plug	2N33-001	1	27	Bracket	3427043A	1
9	Exhaust tube set	3B2-04*440	1	28	Hexagon bolt set	3B00-SM06*020VW	1
10	Pressure relief valve	2406018A	1	29	Nut	2B23-CW02FPU	1
11	Nipple	2N01-002	1	30	Motor feet bolt set	3B08-FM08*30-B	4
12	Pilot valve	2407007	1	31	Motor feet bolt set	3B08-FM08*42-G	4
13	Nipple	2N01-01N01N	1	32	Unloading elbow	2N06-01T02H	1
14	Brass 3-way pipe	2N03-C111NF	1	33	Tube	3T03-W02*0350G	1
15	Elbow	2N16-C01TW02M	1	34	Nipple	2N01-02T02T050	1
16	Unloading tube set	3B2-02*350N	1	35	Regulator	2408025L	1
17	Idling device	2423030	1	36	Pressure gauge	2D12-15D200IQ	1
18	Brass 4-way pipe	2N05-C22224	1	37	Nipple	2N01-001	1
19	Pressure gauge	2D12-25V300ILQ	1	38	Nipple	2N01-04T04TS	1