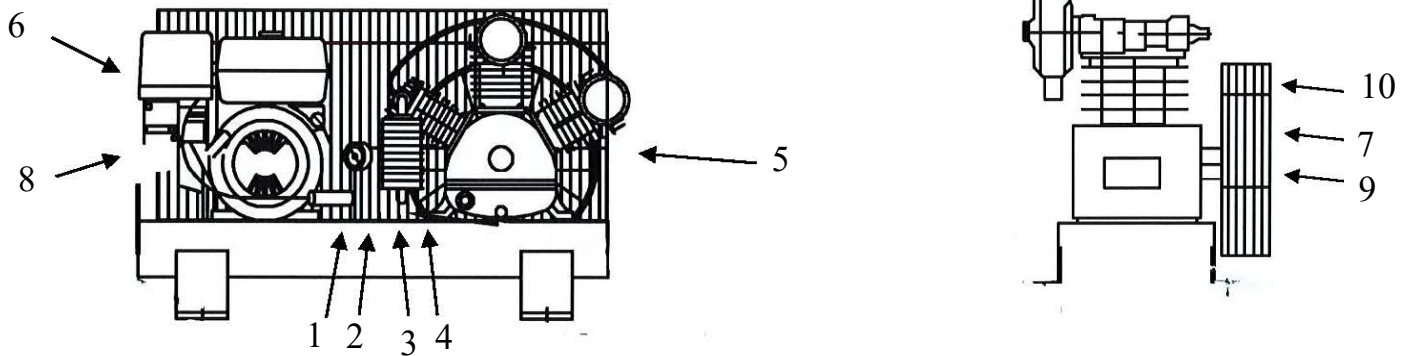


OMEGA COMPRESSORS

For us, it's not just business. It's personal.

PUK-5500G



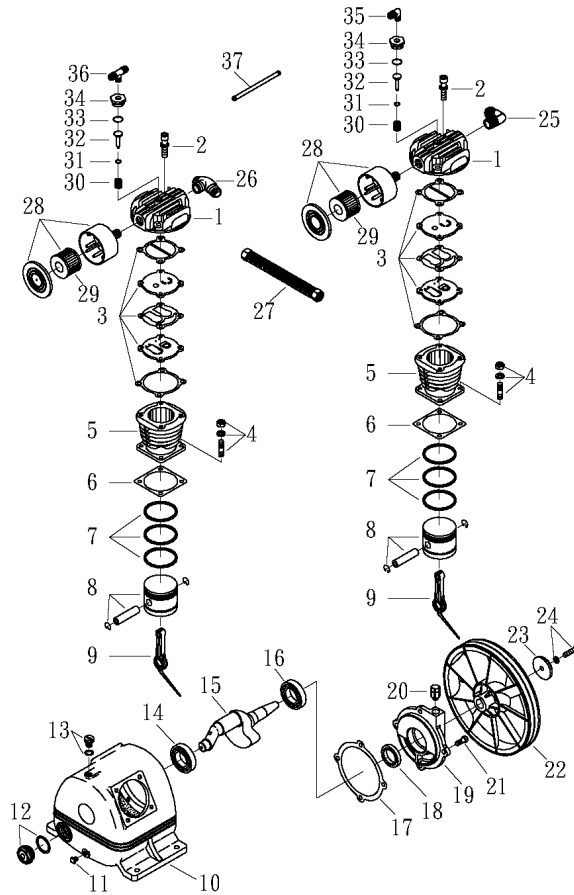
Spare Parts List

Ref. No.	Description	Part Number	Qty.
1	Premium Gauge	GAL-25B2-300	1
2	Safety Valve	SV25-140	1
3	Check Valve	NG-1-LP	1
4	Pilot Valve	PV25-LP	1
5	Pump	PUK-60	1
6	Gas Engine	GX160T1QX6	1
7	Engine Pulley	3PGF-040A1W0615	1
8	Throttle Control	TCSP-H-5565-B	1
9	A50 Belt	VBA50	1
10	Belt Guard	BG-1	1

OMEGA COMPRESSORS

For us, it's not just business. It's personal.

MODEL : PUK-60



SPARE PARTS LIST

NO : QC-1807

REF. NO.	DESCRIPTION	PART NO.	QTY.	REF. NO.	DESCRIPTION	PART NO.	QTY.
1	Cylinder head	3101055	2	20	Breathing cover	2321008	1
2	Allen bolt set	3B01-M06*040V	8	21	Hexagon blot	2B00-SM08*020	4
3	In. & Ex. valve assembly	3B13-AC0765C	2	22	Pulley	3PBF-105A124	1
4	Double head screw set	3B11-001-A	8	23	Plate washer	2B30-08*35*35	1
5	Cylinder	3201035	2	24	Hexagon bolt set	3B00-SM08*035AV	1
6	Cylinder gasket	2G04-003	2	25	Exhaust elbow	2N06-04T04H	1
7	Piston ring set	3B32-65N	2	26	Exhaust three way pipe	2N09-04H04T04H1C	1
8	Piston set	3B31-65N	2	27	Exhaust tube set	3B2-04*240	1
9	Rod set	3B33-H20601	2	28	Air filter set	2140020A	2
10	Crankcase	3301015	1	29	Filter element	2142013	2
11	Oil draining plug	2N33-001	1	30	Unloading spring	2S03-001	2
12	Oil sight gauge set	2303012A	1	31	O-ring	2N52-P06V	2
13	Oil filling plug set	2319003A	1	32	Unloading piston	2113006	2
14	Bearing	2N35-6204	1	33	O-ring	2N52-P16*3V	2
15	Crankshaft & balancer	3304038	1	34	Unloading nut	2B26-001	2
16	Bearing	2N35-6205Z	1	35	Unloading elbow	2N06-01T02H	1
17	Rear bearing seat gasket	2G06-008	1	36	Unloading three way pipe	2N09-02H01T02H4	1
18	Oil seal	2N50-TC24*47*07	1	37	Unloading tube set	3B2-02*475N	1
19	Rear bearing seat	3311034	1				