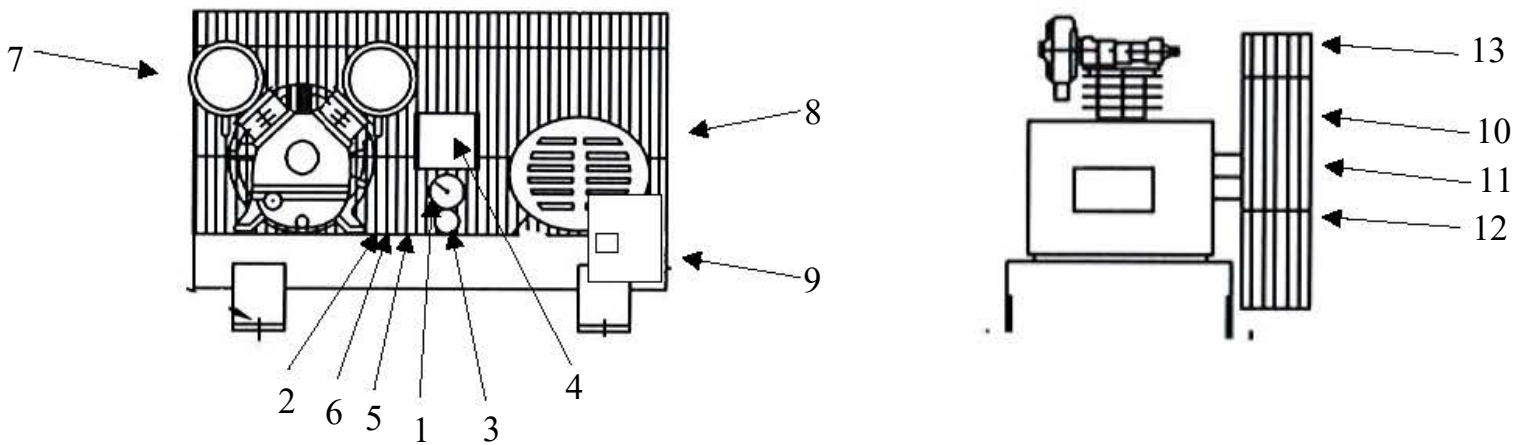


# OMEGA COMPRESSORS

For us, it's not just business. It's personal.

TK-250000



## Spare Parts List

Ref. No.	Description	Part Number	Qty.
1	Premium Gauge	GAL-25B2-300	1
2	Ball Valve	BV-25	1
3	Safety Valve	SV25-200	2
4	Pressure Switch	PSHD-U125175	1
5	Check Valve	2414020A	1
6	Pilot Valve	PV25-HP	1
7	Pump	TUK-300	1
8	Motor	MO-25-01	1
		MO-25-02	1
		MO-25-03	1
		MO-25-04	1
		MO-25-05	1
9	Magnetic Starter	MS-25-01	1
		MS-25-02	1
		MS-25-03	1
		MS-25-04	1
		MS-25-05	1
10	Sheave/Pulley	4B54	1
11	Bushing	SDX1-7/8	1
12	B80 Belt	VBB80	4
13	Belt Guard	BG-5	1

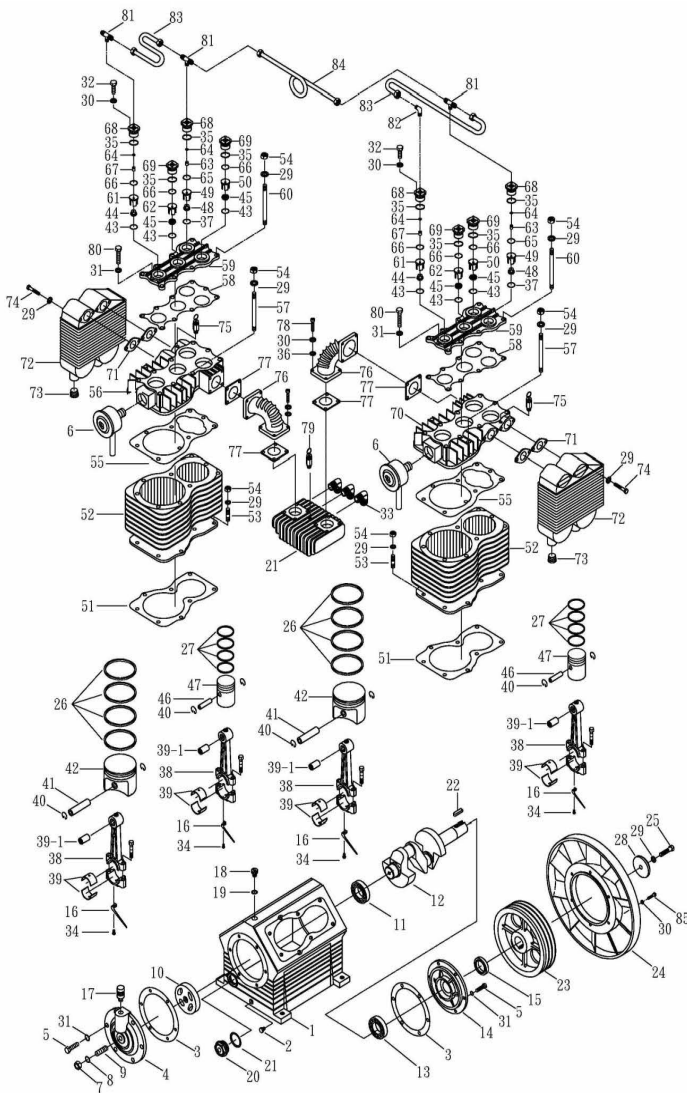
# OMEGA COMPRESSORS

For us, it's not just business. It's personal.

MODEL:TUK-300

NO: QC-2108

MODEL: TUK-300



## SPARE PARTS LIST

NO: QC-2108

REF. NO.	DESCRIPTION	PART NO.	QTY.	REF. NO.	DESCRIPTION	PART NO.	QTY.
1	Crankcase	3301110	1	43	Brass washer	2B32-022	6
2	Oil draining plug	2N33-003	1	44	Inlet valve assembly (LP)	3B12-TK2155L	2
3	Front bearing seat gasket	2G15-005	2	45	Exhaust valve assembly	3B11-TK2155	4
4	Front bearing seat	3309034	1	46	Piston pin	2205016	2
5	Hexagon bolt	2B00-SM10*025	12	47	Piston	2202031	2
6	Air filter set	2140025	2	48	Inlet valve assembly (HP)	3B12-TK2155H	2
7	Hex nut	2B24-101	1	49	Inlet valve holder (LP)	3110011	2
8	Washer	2B31-003	1	50	Inlet valve holder (LP)	3128001	2
9	Bolt	2B07-SM16*40	1	51	Cylinder gasket	2G15-003	2
10	Thrust block	3312005	1	52	Cylinder	3201078	2
11	Bearing	2N35-30211	1	53	Double head screw	2B11-009	16
12	Crankshaft & balancer	3304092	1	54	Hex nut	2B20-FM12	34
13	Bearing	2N35-30311	1	55	Cylinder head gasket	2G15-001C	2
14	Rear bearing seat	3311030	1	56	Cylinder head (L)	3101072	1
15	Oil seal	2N50-TC55*95*14	1	57	Double head screw	2B11-010	4
16	Oil splasher	2317011	4	58	Cylinder head cover	2G15-002C	2
17	Breathing cover	2321008	1	59	Cylinder head cover	3101071	2
18	Oil filling plug	2319004	1	60	Double head screw	2B11-011	14
19	Oil filling plug gasket	2G11-005	1	61	Inlet valve holder (HP)	3110012	2
20	Oil sight gauge set	2303015A	1	62	Exhaust valve holder (HP)	3128002	2
21	Spare tank	3127011	1	63	Unloading piston (LP)	2113011	2
22	Pulley key	2N47-10*8*45	1	64	O-ring	2N52-P18V	4
23	Pulley	3PBF-138B450	1	65	O-ring	2N52-G80V	2
24	Fly wheel	3PBF-700*280	1	66	O-ring	2N52-G70V	6
25	Hexagon bolt	2B00-SM12*050	1	67	Unloading piston (HP)	2113012	2
26	Piston ring set	3B32-155	2	68	Inlet press plate	3103005	4
27	Piston ring set	3B32-82	2	69	Exhaust press plate	3126011	4
28	Pulley washer	2B34-13*95*12	1	70	Cylinder head (R)	3101073	1
29	Spring washer	2B33-M12	45	71	Spare tank gasket	2G15-009	4
30	Spring washer	2B33-M08	54	72	Spare tank	3125010	2
31	Spring washer	2B33-M10	18	73	Plug	2B14-ST10E	4
32	Hexagon bolt	2B00-SM08*025	32	74	Hexagon bolt	2B00-SM12*130	8
33	Exhaust elbow	2N06-06T06H	3	75	Pressure relief valve	2406020A	2
34	Bolt	2B02-FM5*010	4	76	Exhaust tube	3127012	2
35	O-ring	2N52-P44V	8	77	Exhaust tube gasket	2G15-008	4
36	Plate washer	2B30-08*18*12	16	78	Hexagon bolt	2B00-SM08*035A	16
37	Brass washer	2B32-023	2	79	Pressure relief valve	2406024	1
38	Rod	2315059	4	80	Hexagon bolt	2B00-SM10*035	6
39	Crank rod bush	2316009	4	81	Unloading 3-way pipe	2N09-02H01T02H4	3
39-1	Bearing	2N35-2830TA	4	82	Unloading elbow	2N06-01T02H	1
40	Retainer	2N42-R28	8	83	Unloading tube set	3B2-02*475N	2
41	Piston pin	2205015	2	84	Unloading tube set	3B2-02*1075N	1
42	Piston	2202030	2	85	Hexagon bolt	2B00-SM08*035A	6