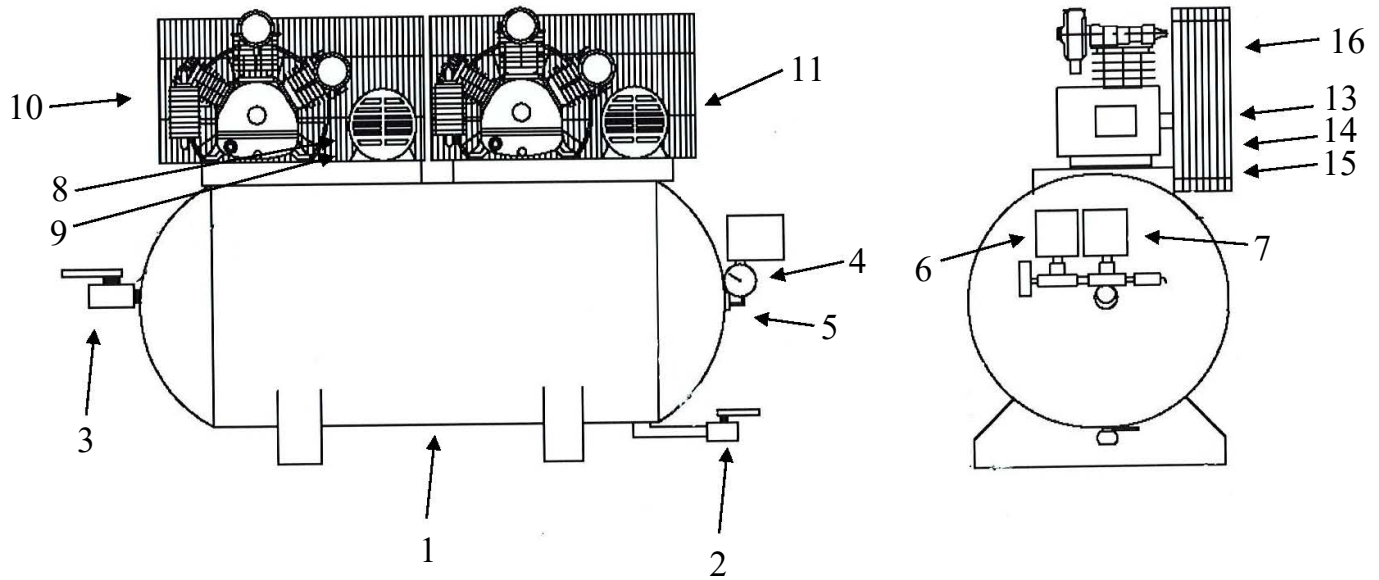


OMEGA COMPRESSORS

For us, it's not just business. It's personal.

GT-DX-200240



Spare Parts List

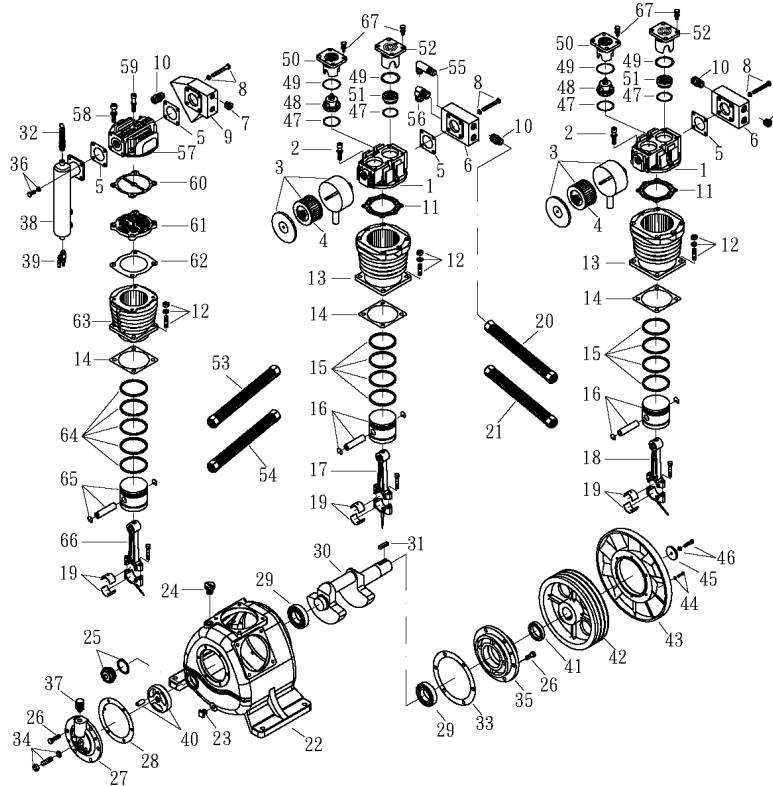
Ref. No.	Description	Part Number	Qty.
1	Horizontal Receiver	AR-DH240	1
2	Ball Valve	BV-25	1
3	Ball Valve	BV-10	1
4	Premium Gauge	GAD-20K2-300	1
5	Safety Valve	SV50-200	1
6	Lead Pressure Switch	PSHD-U120150	1
7	Lag Pressure Switch	PSHD-120150	1
8	Check Valve	CV-N1515ST	2
9	Check Valve	2414020A	2
10	Pump	GT-200	2
11	Motor	MO-20-01	2
		MO-20-02	2
		MO-20-03	2
		MO-20-04	2
		MO-20-05	2
12	Alternating Panel*	ALT-20-01	1
		ALT-20-02	1
		ALT-20-03	1
		ALT-20-04	1
		ALT-20-05	1
13	Sheave/Pulley	4B70	2
14	Bushing	SKX1-5/8	2
15	B81 Belt	VBB81	8
16	Belt Guard	BG-4	2

*Alternating Panel shipped loose

OMEGA COMPRESSORS

For us, it's not just business. It's personal.

Model: GT200



SPARE PARTS LIST

NO : QC-2008

REF. NO.	DESCRIPTION	PART NO.	QTY.	REF. NO.	DESCRIPTION	PART NO.	QTY.
1	Cylinder head	3101054	2	35	Rear bearing seat	3311029	1
2	Allen bolt set	3B01-M12*050V	12	36	Hexagon bolt set	3B00-SM10*025V	4
3	Air filter	2140011	2	37	Breathing cover	2321008	1
4	Filter element	2142009	2	38	Spare tank	3125003	1
5	Exhaust tank gasket	2G09-004H	4	39	Ball valve	2413010	1
6	Exhaust tank	3127001	2	40	Thrust block set	3312008-A	1
7	Plug	2B14-ST06E	4	41	Oil seal	2N50-TC50*72*12	1
8	Hexagon bolt set	3B00-SM10*075V	12	42	Pulley	3PBF-138B450	1
9	Exhaust tank	3127002	1	43	Fly wheel	3PBF-630*280	1
10	Nipple	2N01-009	7	44	Hexagon bolt set	3B00-SM08*035V	6
11	Cylinder head gasket	2G01-020C	2	45	Pulley washer	2B34-13*95*12	1
12	Double head screw set	3B11-005-A	12	46	Hexagon bolt set	3B00-SM12*050V	1
13	Cylinder	3201044	2	47	Inlet/Exhaust washer	2B32-004	4
14	Cylinder gasket	2G04-008	3	48	Inlet valve assembly	3B12-NK150A	2
15	Piston ring set	3B32-120N	2	49	O-ring	2N52-G65V	4
16	Piston set	3B31-120NP	2	50	Inlet press plate	3103001	2
17	Rod set	3B33-NP150	1	51	Exhaust valve assembly	3B11-NK150A	2
18	Rod set	3B33-NP150B	1	52	Exhaust press plate	3126009	2
19	Rod bush	2316007-B	3	53	Exhaust tube set	3B2-06*580	1
20	Exhaust tube set	3B2-06*260	1	54	Exhaust tube set	3B2-06*610	1
21	Exhaust tube set	3B2-06*205	1	55	Exhaust elbow	2N06-06T06H85	1
22	Crankcase	3301137	1	56	Exhaust elbow	2N06-06T06H	1
23	Oil draining plug	2N33-003	1	57	Cylinder head	3101024	1
24	Oil filling plug set	2319004B	1	58	Allen bolt set	3B01-M12*065V	4
25	Oil sight gauge set	2303015A	1	59	Allen bolt set	3B01-M08*085Z	1
26	Hexagon bolt	2B00-SM10*025	12	60	Cylinder head gasket	2G01-012C	1
27	Front bearing seat	3309042	1	61	Inlet/Exhaust valve assembly	3B13-AP100	1
28	Front bearing seat gasket	2G05-009	1	62	Valve seat gasket	2G03-006C	1
29	Bearing	2N35-32210	2	63	Cylinder	3201034	1
30	Crankshaft & balancer	3304151	1	64	Piston ring set	3B32-T100	1
31	Pulley key	2N47-10*8*45	1	65	Piston set	3B31-T100	1
32	Pressure relief valve	2406020A	1	66	Rod set	3B33-NP150C	1
33	Rear bearing seat gasket	2G06-020	1	67	Hexagon bolt set	3B00-SM08*030V	16
34	Bolt set	3B07-SM16*40-A	1				