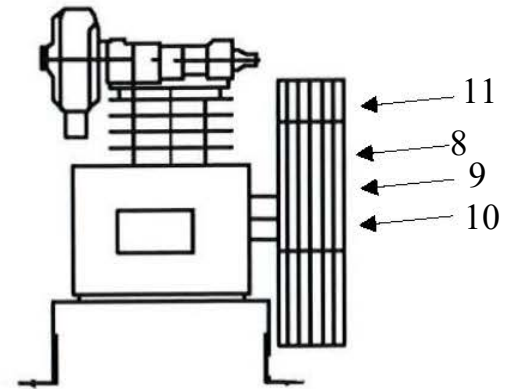
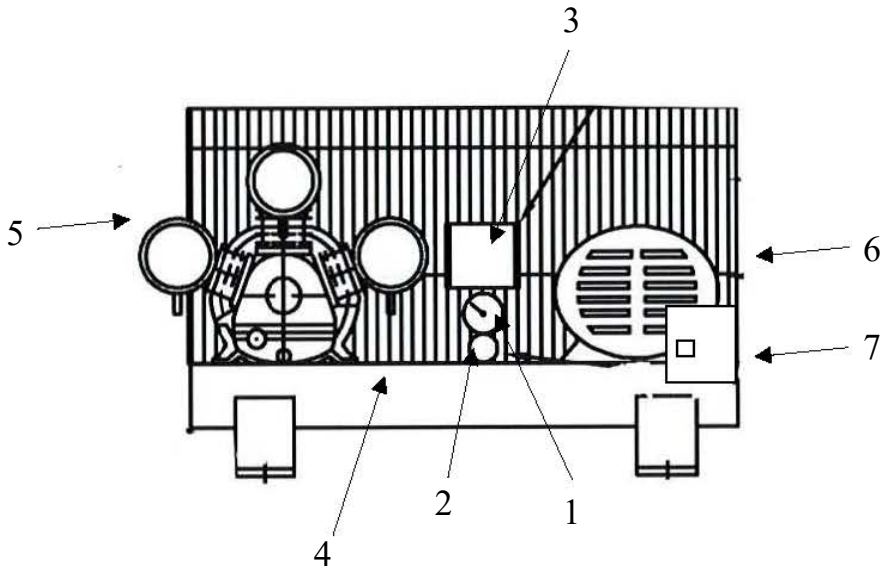


OMEGA COMPRESSORS

For us, it's not just business. It's personal.

GT-150000



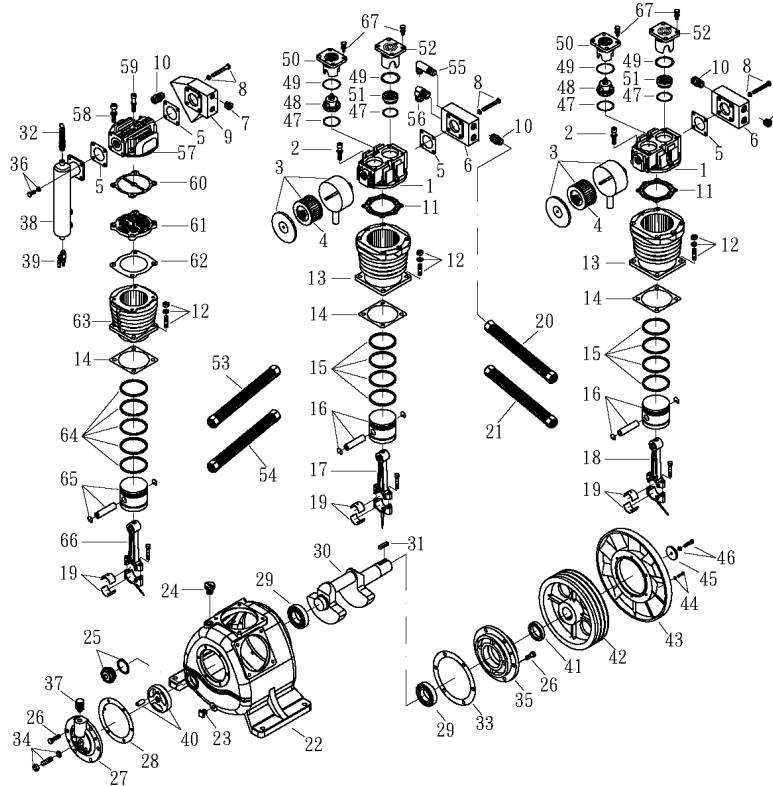
Spare Parts List

| Ref. No. | Description | Part Number | Qty. |
|----------|------------------|--------------|------|
| 1 | Premium Gauge | GAL-25B2-300 | 1 |
| 2 | Safety Valve | SV25-200 | 1 |
| 3 | Pressure Switch | PSHD-U120150 | 1 |
| 4 | Check Valve | 2414020A | 1 |
| 5 | Pump | GT-200 | 1 |
| 6 | Motor | MO-15-01 | 1 |
| | | MO-15-02 | 1 |
| | | MO-15-03 | 1 |
| | | MO-15-04 | 1 |
| | | MO-15-05 | 1 |
| 7 | Magnetic Starter | MS-15-01 | 1 |
| | | MS-15-02 | 1 |
| | | MS-15-03 | 1 |
| | | MS-15-04 | 1 |
| | | MS-15-05 | 1 |
| 8 | Sheave/Pulley | 4B54 | 1 |
| 9 | Bushing | SDX1-5/8 | 1 |
| 10 | B79 Belt | VBB79 | 4 |
| 11 | Belt Guard | BG-4 | 1 |

OMEGA COMPRESSORS

For us, it's not just business. It's personal.

Model: GT200



SPARE PARTS LIST

NO : QC-2008

| REF. NO. | DESCRIPTION | PART NO. | QTY. | REF. NO. | DESCRIPTION | PART NO. | QTY. |
|----------|---------------------------|----------------|------|----------|------------------------------|-----------------|------|
| 1 | Cylinder head | 3101054 | 2 | 35 | Rear bearing seat | 3311029 | 1 |
| 2 | Allen bolt set | 3B01-M12*050V | 12 | 36 | Hexagon bolt set | 3B00-SM10*025V | 4 |
| 3 | Air filter | 2140011 | 2 | 37 | Breathing cover | 2321008 | 1 |
| 4 | Filter element | 2142009 | 2 | 38 | Spare tank | 3125003 | 1 |
| 5 | Exhaust tank gasket | 2G09-004H | 4 | 39 | Ball valve | 2413010 | 1 |
| 6 | Exhaust tank | 3127001 | 2 | 40 | Thrust block set | 3312008-A | 1 |
| 7 | Plug | 2B14-ST06E | 4 | 41 | Oil seal | 2N50-TC50*72*12 | 1 |
| 8 | Hexagon bolt set | 3B00-SM10*075V | 12 | 42 | Pulley | 3PBF-138B450 | 1 |
| 9 | Exhaust tank | 3127002 | 1 | 43 | Fly wheel | 3PBF-630*280 | 1 |
| 10 | Nipple | 2N01-009 | 7 | 44 | Hexagon bolt set | 3B00-SM08*035V | 6 |
| 11 | Cylinder head gasket | 2G01-020C | 2 | 45 | Pulley washer | 2B34-13*95*12 | 1 |
| 12 | Double head screw set | 3B11-005-A | 12 | 46 | Hexagon bolt set | 3B00-SM12*050V | 1 |
| 13 | Cylinder | 3201044 | 2 | 47 | Inlet/Exhaust washer | 2B32-004 | 4 |
| 14 | Cylinder gasket | 2G04-008 | 3 | 48 | Inlet valve assembly | 3B12-NK150A | 2 |
| 15 | Piston ring set | 3B32-120N | 2 | 49 | O-ring | 2N52-G65V | 4 |
| 16 | Piston set | 3B31-120NP | 2 | 50 | Inlet press plate | 3103001 | 2 |
| 17 | Rod set | 3B33-NP150 | 1 | 51 | Exhaust valve assembly | 3B11-NK150A | 2 |
| 18 | Rod set | 3B33-NP150B | 1 | 52 | Exhaust press plate | 3126009 | 2 |
| 19 | Rod bush | 2316007-B | 3 | 53 | Exhaust tube set | 3B2-06*580 | 1 |
| 20 | Exhaust tube set | 3B2-06*260 | 1 | 54 | Exhaust tube set | 3B2-06*610 | 1 |
| 21 | Exhaust tube set | 3B2-06*205 | 1 | 55 | Exhaust elbow | 2N06-06T06H85 | 1 |
| 22 | Crankcase | 3301137 | 1 | 56 | Exhaust elbow | 2N06-06T06H | 1 |
| 23 | Oil draining plug | 2N33-003 | 1 | 57 | Cylinder head | 3101024 | 1 |
| 24 | Oil filling plug set | 2319004B | 1 | 58 | Allen bolt set | 3B01-M12*065V | 4 |
| 25 | Oil sight gauge set | 2303015A | 1 | 59 | Allen bolt set | 3B01-M08*085Z | 1 |
| 26 | Hexagon bolt | 2B00-SM10*025 | 12 | 60 | Cylinder head gasket | 2G01-012C | 1 |
| 27 | Front bearing seat | 3309042 | 1 | 61 | Inlet/Exhaust valve assembly | 3B13-AP100 | 1 |
| 28 | Front bearing seat gasket | 2G05-009 | 1 | 62 | Valve seat gasket | 2G03-006C | 1 |
| 29 | Bearing | 2N35-32210 | 2 | 63 | Cylinder | 3201034 | 1 |
| 30 | Crankshaft & balancer | 3304151 | 1 | 64 | Piston ring set | 3B32-T100 | 1 |
| 31 | Pulley key | 2N47-10*8*45 | 1 | 65 | Piston set | 3B31-T100 | 1 |
| 32 | Pressure relief valve | 2406020A | 1 | 66 | Rod set | 3B33-NP150C | 1 |
| 33 | Rear bearing seat gasket | 2G06-020 | 1 | 67 | Hexagon bolt set | 3B00-SM08*030V | 16 |
| 34 | Bolt set | 3B07-SM16*40-A | 1 | | | | |