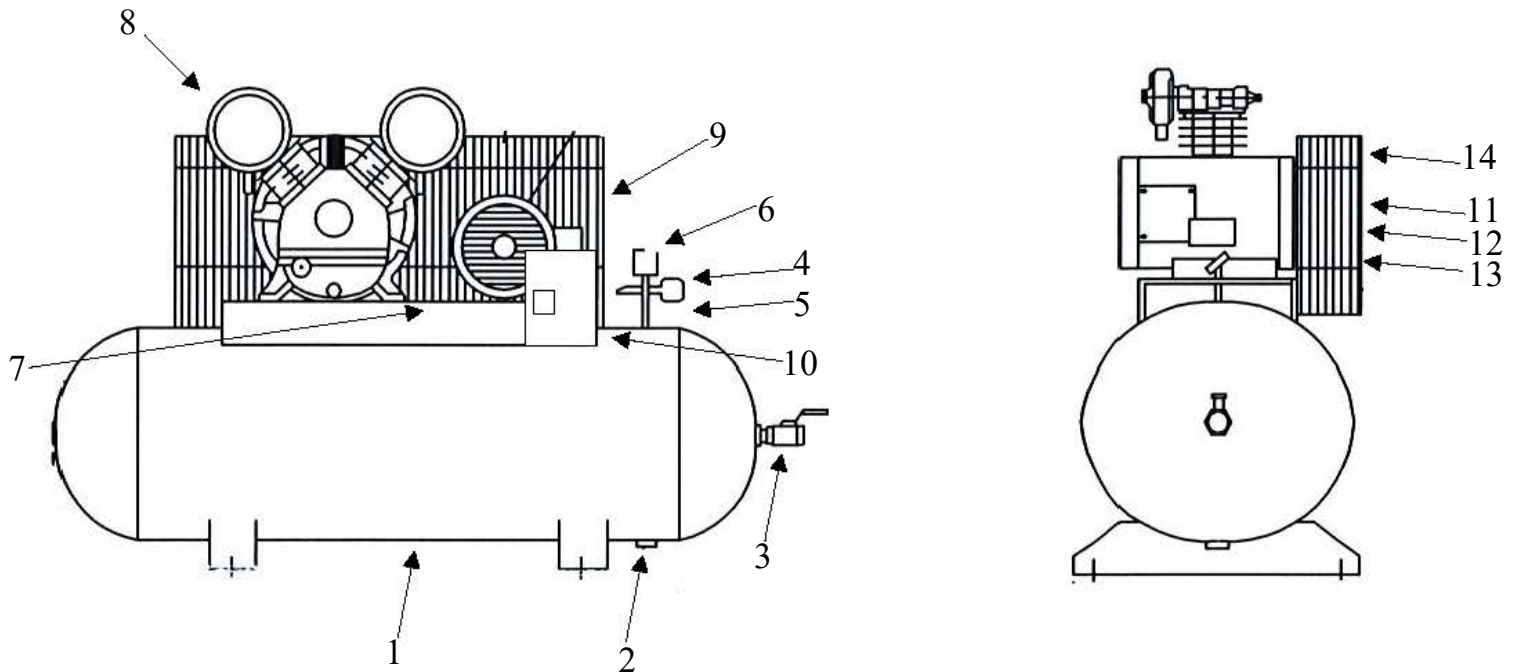


OMEGA COMPRESSORS

For us, it's not just business. It's personal.

FS-5060



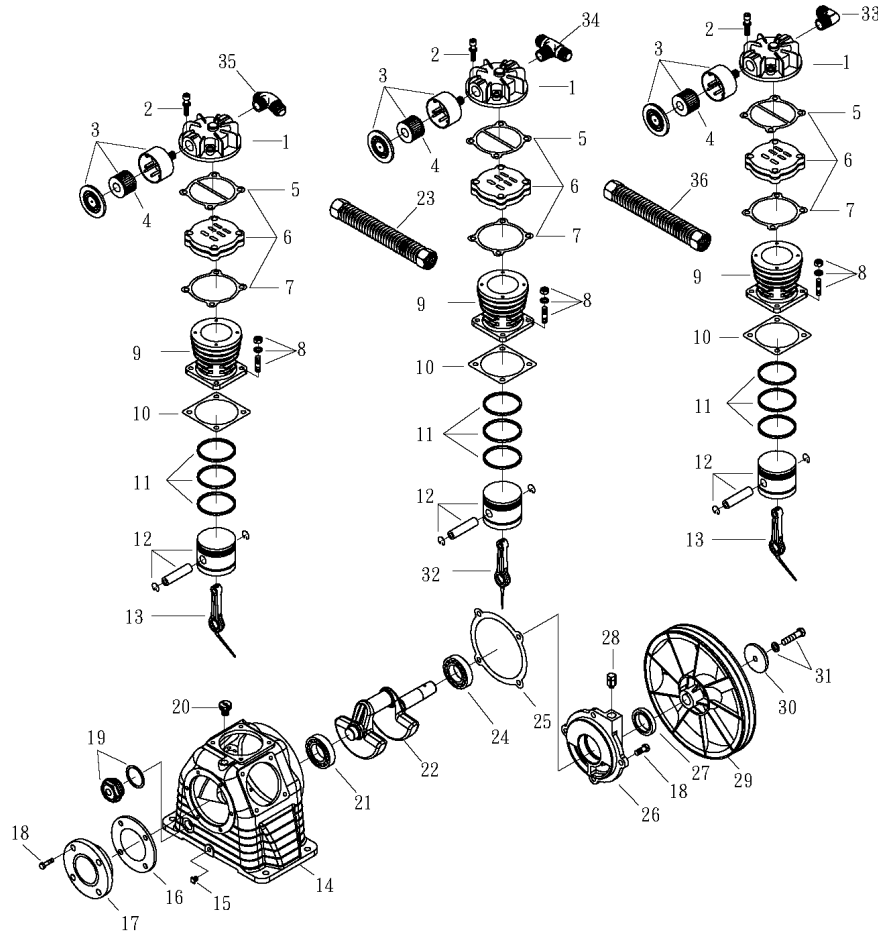
Spare Parts List

| Ref. No. | Description | Part Number | Qty. |
|----------|---------------------|--------------|------|
| 1 | Horizontal Receiver | AR-H60 | 1 |
| 2 | Ball Valve | BV-25 | 1 |
| 3 | Ball Valve | BV-75 | 1 |
| 4 | Premium Gauge | GAD-20B2-300 | 1 |
| 5 | Safety Valve | SV25-140 | 1 |
| 6 | Pressure Switch | PSHD-U3050 | 1 |
| 7 | Check Valve | CV-N5075ST | 1 |
| 8 | Pump | CK-40 | 1 |
| 9 | Motor | MO-5-01-3450 | 1 |
| | | MO-5-02-3450 | 1 |
| | | MO-5-03-3450 | 1 |
| | | MO-5-04-3450 | 1 |
| | | MO-5-05-3450 | 1 |
| 10 | Magnetic Starter | MS-5-01-3450 | 1 |
| | | MS-5-02-3450 | 1 |
| | | MS-5-03-3450 | 1 |
| | | MS-5-04-3450 | 1 |
| | | MS-5-05-3450 | 1 |
| 11 | Sheave/Pulley | MAL39 | 1 |
| 12 | Bushing | LX7/8 | 1 |
| 13 | A58 Belt | VBA58 | 1 |
| 14 | Belt Guard | BG-2A | 1 |

OMEGA COMPRESSORS

For us, it's not just business. It's personal.

MODEL : CK40



SPARE PARTS LIST

NO : QC-1807

| REF. NO. | DESCRIPTION | PART NO. | QTY. | REF. NO. | DESCRIPTION | PART NO. | QTY. |
|----------|--------------------------|---------------|------|----------|-----------------------|-----------------|------|
| 1 | Cylinder head | 3101084A | 3 | 19 | Oil sight gauge set | 2303012A | 1 |
| 2 | Allen bolt set | 3B01-M06*040V | 12 | 20 | Oil filling plug set | 2319003A | 1 |
| 3 | Air filter set | 2140020A | 3 | 21 | Bearing | 2N35-6205 | 1 |
| 4 | Filter element | 2142013 | 3 | 22 | Crankshaft & balancer | 3304101 | 1 |
| 5 | Cylinder head gasket | 2G01-015C | 3 | 23 | Exhaust tube set | 3B2-04*205 | 1 |
| 6 | In. & Ex. valve assembly | 3B13-K5065C | 3 | 24 | Bearing | 2N35-6205Z | 1 |
| 7 | Valve seat gasket | 2G03-010H | 3 | 25 | Bearing seat gasket | 2G06-008 | 1 |
| 8 | Double head screw set | 3B11-001-A | 12 | 26 | Bearing seat | 3311034 | 1 |
| 9 | Cylinder | 3201083 | 3 | 27 | Oil seal | 2N50-TC24*47*07 | 1 |
| 10 | Cylinder gasket | 2G04-003 | 3 | 28 | Breathing cover | 2321008 | 1 |
| 11 | Piston ring set | 3B32-65N | 3 | 29 | Pulley | 3PBF-125A124 | 1 |
| 12 | Piston set | 3B31-65N | 3 | 30 | Plate washer | 2B30-08*35*35 | 1 |
| 13 | Rod set | 3B33-CT30L | 2 | 31 | Hexagon bolt set | 3B00-SM08*035AV | 1 |
| 14 | Crankcase | 3301121 | 1 | 32 | Rod set | 3B33-CT30M | 1 |
| 15 | Oil draining plug | 2N33-002 | 1 | 33 | Exhaust elbow | 2N06-04T04H | 1 |
| 16 | Front cover gasket | 2G05-020 | 1 | 34 | Exhaust 3-way pipe | 2N09-04H04T04H4 | 1 |
| 17 | Front cover | 3309044A | 1 | 35 | Exhaust 3-way pipe | 2N09-04H04T04H2 | 1 |
| 18 | Hexagon bolt | 2B00-SM08*020 | 8 | 36 | Exhaust tube set | 3B2-04*195 | 1 |