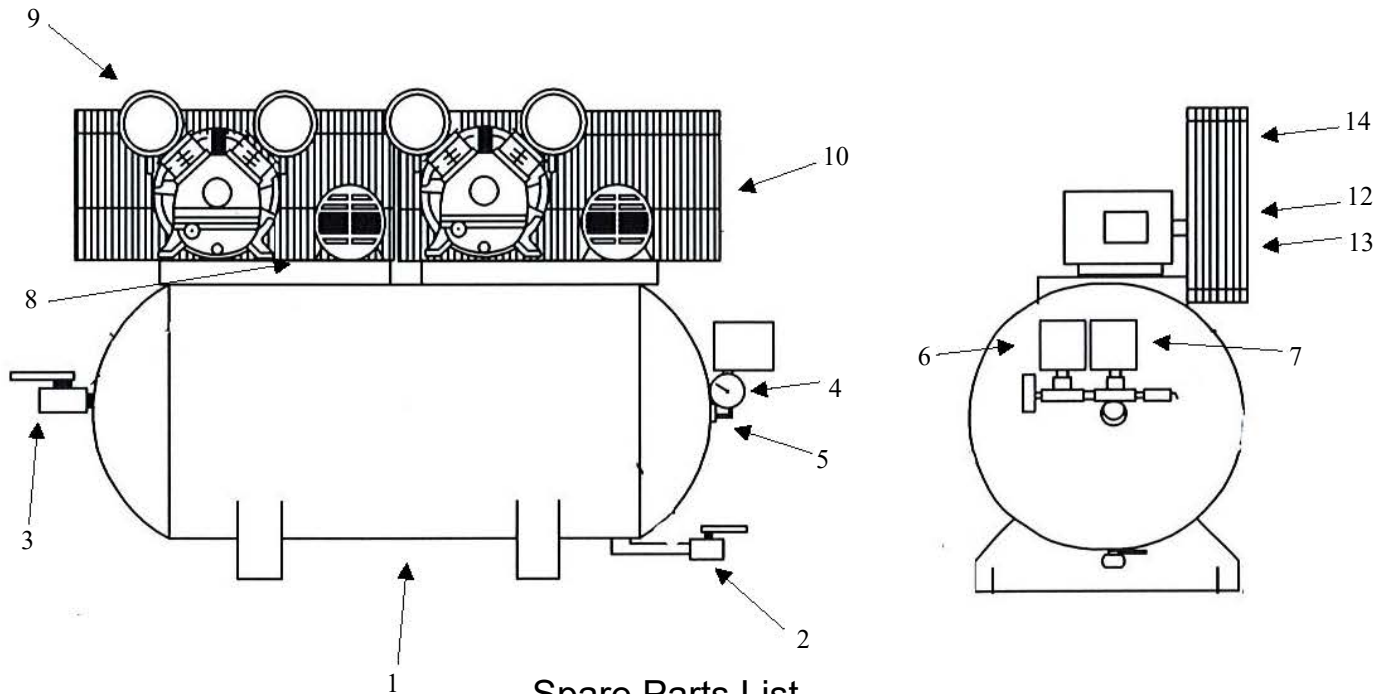


# OMEGA COMPRESSORS

For us, it's not just business. It's personal.

CC-DX-0180



## Spare Parts List

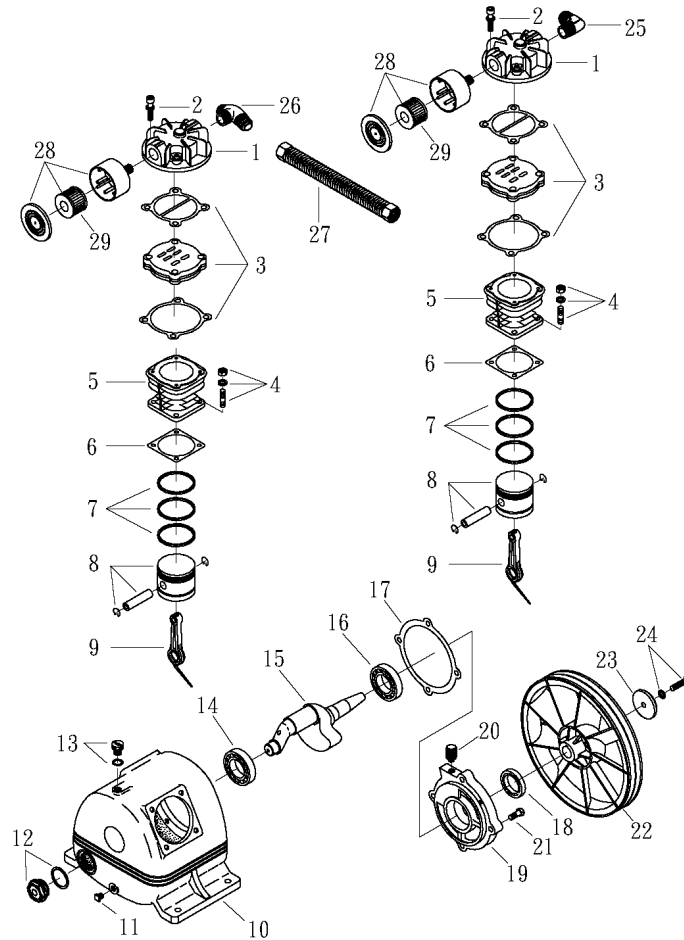
| Ref. No. | Description          | Part Number  | Qty. |
|----------|----------------------|--------------|------|
| 1        | Horizontal Receiver  | AR-DH80      | 1    |
| 2        | Ball Valve           | BV-25        | 1    |
| 3        | Ball Valve           | BV-75        | 1    |
| 4        | Premium Gauge        | GAD-20B2-300 | 1    |
| 5        | Safety Valve         | SV25-140     | 1    |
| 6        | Lead Pressure Switch | PSHD-U7090   | 1    |
| 7        | Lag Pressure Switch  | PSHD-6080    | 1    |
| 8        | Check Valve          | CV-N5075ST   | 2    |
| 9        | Pump                 | PK-50        | 2    |
| 10       | Motor                | MT-01-01     | 2    |
|          |                      | MT-01-02     | 2    |
|          |                      | MT-01-03     | 2    |
|          |                      | MT-01-04     | 2    |
|          |                      | MT-01-05     | 2    |
| 11       | Alternating Panel*   | ALT-01-01    | 1    |
|          |                      | ALT-01-02    | 1    |
|          |                      | ALT-01-03    | 1    |
|          |                      | ALT-01-04    | 1    |
|          |                      | ALT-01-05    | 1    |
| 12       | Sheave/Pulley        | MA55X5/8     | 2    |
| 13       | A47 Belt             | VBA52        | 2    |
| 14       | Belt Guard           | BG-2A        | 2    |

\*Alternating Panel shipped loose

# OMEGA COMPRESSORS

For us, it's not just business. It's personal.

MODEL : PK-50



## SPARE PARTS LIST

NO : QC-1807

| REF. NO. | DESCRIPTION              | PART NO.      | QTY. | REF. NO. | DESCRIPTION              | PART NO.         | QTY. |
|----------|--------------------------|---------------|------|----------|--------------------------|------------------|------|
| 1        | Cylinder head            | 3101084A      | 2    | 16       | Bearing                  | 2N35-6205Z       | 1    |
| 2        | Allen bolt set           | 3B01-M06*040V | 8    | 17       | Rear bearing seat gasket | 2G06-008         | 1    |
| 3        | In. & Ex. valve assembly | 3B13-K5051C   | 2    | 18       | Oil seal                 | 2N50-TC24*47*07  | 1    |
| 4        | Double head screw set    | 3B11-001-A    | 8    | 19       | Rear bearing seat        | 3311034          | 1    |
| 5        | Cylinder                 | 3201036       | 2    | 20       | Breathing cover          | 2321008          | 1    |
| 6        | Cylinder gasket          | 2G04-002      | 2    | 21       | Hexagon bolt             | 2B00-SM08*020    | 4    |
| 7        | Piston ring set          | 3B32-51N      | 2    | 22       | Pulley                   | 3PBF-105A124     | 1    |
| 8        | Piston set               | 3B31-51N      | 2    | 23       | Plate washer             | 2B30-08*35*35    | 1    |
| 9        | Rod set                  | 3B33-H1048    | 2    | 24       | Hexagon bolt set         | 3B00-SM08*035AV  | 1    |
| 10       | Crankcase                | 3301014       | 1    | 25       | Exhaust elbow            | 2N06-04T04H      | 1    |
| 11       | Oil draining plug        | 2N33-001      | 1    | 26       | Exhaust three way pipe   | 2N09-04H04T04H1C | 1    |
| 12       | Oil sight gauge set      | 2303012A      | 1    | 27       | Exhaust tube set         | 3B2-04*225       | 1    |
| 13       | Oil filling plug set     | 2319003A      | 1    | 28       | Air filter set           | 2140020A         | 2    |
| 14       | Bearing                  | 2N35-6204     | 1    | 29       | Filter element           | 2142013          | 2    |
| 15       | Crankshaft & balancer    | 3304038       | 1    |          |                          |                  |      |