

OMEGA COMPRESSORS

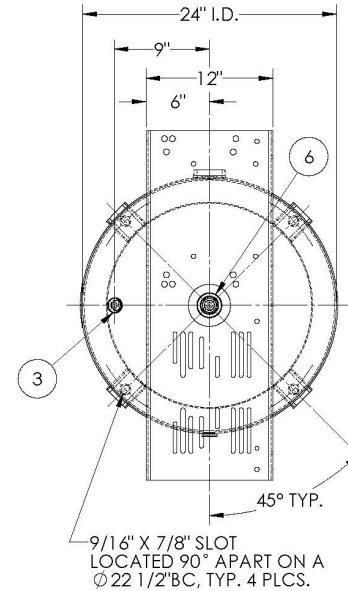
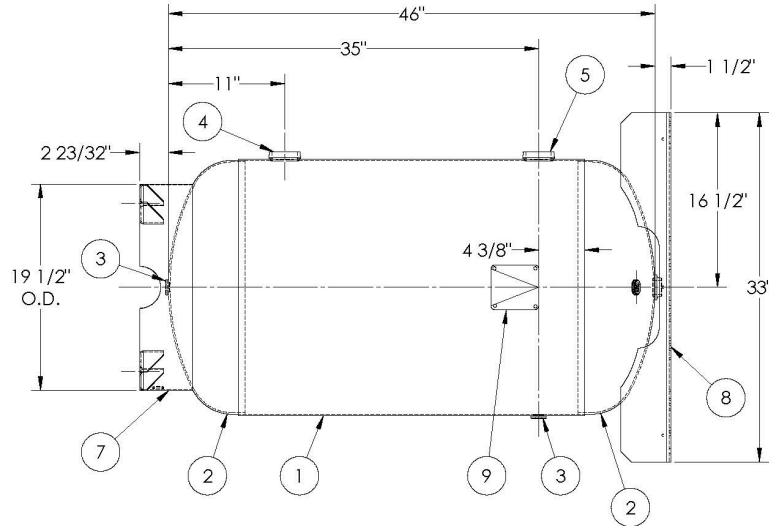
For us, it's not just business. It's personal.

APPROVED BY: _____ DATE: _____



ITEM NO.	PART NO.	DESCRIPTION	QTY.
3	F31826	1/4"-NPT 1500# FLAT FLANGE	3
4	F30318	2"-NPT 1500# RADIAL FLANGE O-RING	1
5	F30318	2"-NPT 1500# RADIAL FLANGE O-RING	1
6	F10370	1"-NPT 1500# FLAT FLANGE	1
7	A82850	BASERING ASY	1
8	A96057	TOPPLATE	1
9	A20910	ASME DATA PLATE	1

ITEM 4 GETS AN IRON PLUG, ALL OTHERS GET PLASTIC PLUGS.



NOTES:

CODE 2010/A- APPROVED DP
RELEASED FOR PRODUCTION
Q.C. _____ DATE _____

SPECIFICATIONS

I.D. 24 LGTH. 46 MAWP 200 PSI @ 400°F
 WT. 207 LBS.
 S.A. 26.2 SQ.FT.
 GAL. 80 CU.FT. 10.9 CRN: M2347.5C W
 CODE: ASME Section VIII, Div.1, LATEST EDITION & ADDENDA EXMT UG20(f) CORR ALW 0 SH 0 HD
 STD. TOLERANCES: M-2461 (UNLESS OTHERWISE NOTED) WELD DETAILS: M-1932



VERTICAL AIR RECEIVER
PAINTLINE PRODUCTS

FILE LOCATION: O:\SolidWorks\3000\309243
DRAWN BY: _____ DATE: _____

APPR. BY: _____ DATE: _____

SCALE: NONE DRWG NO. AR-V80



ZONE	REV.	BY	DESCRIPTION	DATE	APP.