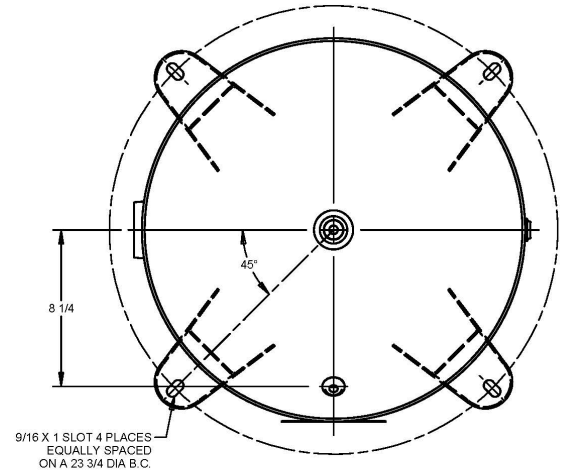
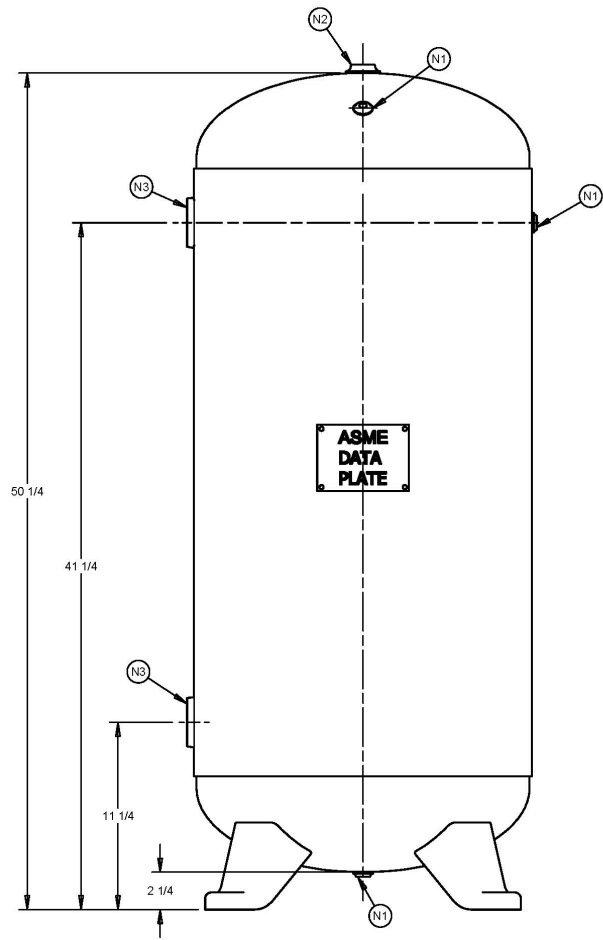


OMEGA COMPRESSORS

For us, it's not just business. It's personal.

| NOZZLE CHART | |
|--------------|----------|
| NOZZLE ID | NPT SIZE |
| N1 | 1/4 |
| N2 | 3/4 |
| N3 | 2 |



| DESIGN INFORMATION | |
|--------------------|-------------------|
| SPECIFICATION | VALUE |
| DIAMETER O.D./I.D. | 20 I.D. |
| MAWP | 200 PSI AT 400°F |
| MDMT | -20°F AT 200 PSI |
| CAPACITY | APPROX 60 GALLONS |
| SHIPPING WEIGHT | 148 LBS |
| CRN | M3329.5C |

| | | | | | | | |
|---|--|--|--|--------------------------|-----------------------------|------------------------------|-----|
| TITLE VERTICAL HORIZONTAL AIR RECEIVER | | | | OMEGA COMPRESSORS | | | |
| CUSTOMER STOCK | | | | DRAWN KAT 9/1/2016 | CHECKED DMM 9/19/2016 | DRAWING NO AR-V60R | REV |
| TYPE ASME | | | | SIZE: B | | B12 SHEET 1 OF 1 | |

(BUILT IN ACCORDANCE WITH LATEST EDITION OF SECTION VIII DIV 1 ASME CODE)
THIS DRAWING & SPECIFICATIONS ARE PROPERTY OF SPVG AND MAY NOT BE COPIED, REPRODUCED, OR USED IN WHOLE OR PART, AS A BASIS FOR DESIGN MANUFACTURE OR SALE WITHOUT PRIOR PERMISSION FROM SPVG.

| REV | ISSUED | DESCRIPTION | BY | DATE |
|-----|--------|-------------|----|------|
| | | | | |