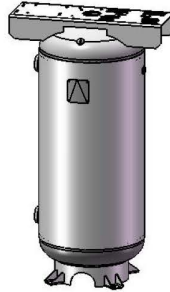


# OMEGA COMPRESSORS

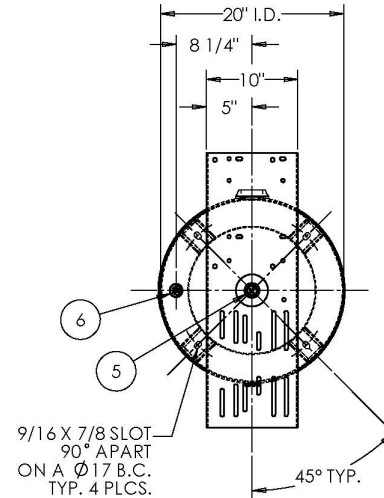
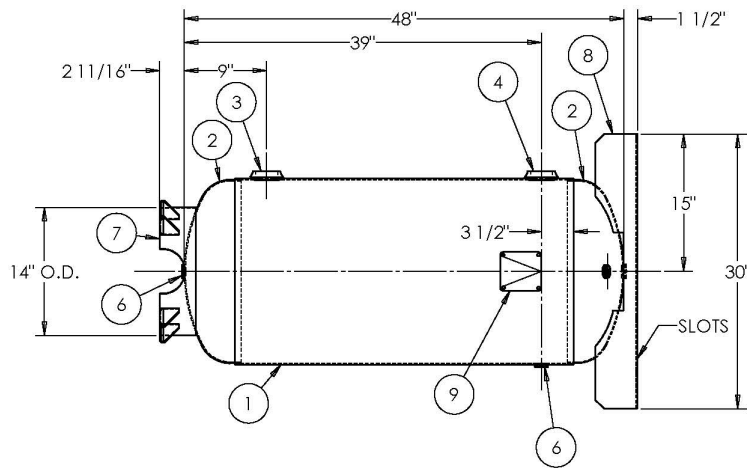
For us, it's not just business. It's personal.

FITTING #3 SHIPPED WITH CAST IRON PLUG.  
ALL OTHER FITTINGS SHIPPED WITH PLASTIC PLUGS.



APPROVED BY: \_\_\_\_\_ DATE: \_\_\_\_\_

ITEM NO.	PART NO.	DESCRIPTION	QTY.
3	F12440	2"-NPT 1500# RADIAL FLANGE	1
4	F12440	2"-NPT 1500# RADIAL FLANGE	1
5	F31840	3/4"-NPT 1500# FLAT FLANGE	1
6	F31826	1/4"-NPT 1500# FLAT FLANGE	3
7	A73116	BASERING ASY	1
8	A96150	TOPPLATE	1
9	A20910	ASME DATA PLATE	1



NOTES:

CODE 2010/A- APPROVED DP  
RELEASED FOR PRODUCTION  
Q.C. \_\_\_\_\_ DATE \_\_\_\_\_



SPECIFICATIONS

I.D. 20 LGTH. 48 MAWP 200 PSI @ 400°F  
 WT. 180 LBS.  
 S.A. 22.6 SQ.FT.  
 GAL. 60 CU.FT. 8.1 CRN: E7399.2C W  
 CODE: ASME Section VIII, Div.1, LATEST EDITION & ADDENDA EXMT UG20(f) CORR ALW 0 SH 0 HD  
 STD. TOLERANCES: M-2461 (UNLESS OTHERWISE NOTED) WELD DETAILS: M-1932

**OMEGA COMPRESSORS**

**VERTICAL AIR RECEIVER  
PAINTLINE PRODUCTS**

FILE LOCATION: O:\SolidWorks\3000\309265

DRAWN BY: \_\_\_\_\_ DATE: \_\_\_\_\_

APPR. BY: \_\_\_\_\_ DATE: \_\_\_\_\_

SCALE: NONE DRWG NO. **AR-V60**

ZONE	REV.	BY	DESCRIPTION	DATE	APP.