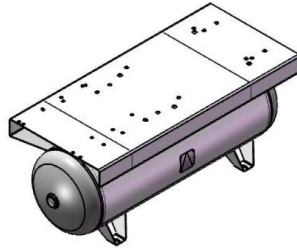


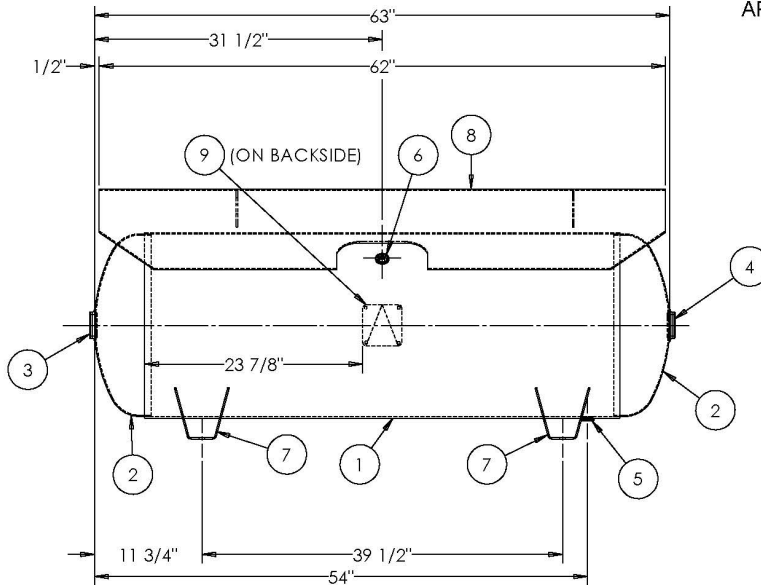
OMEGA COMPRESSORS

For us, it's not just business. It's personal.

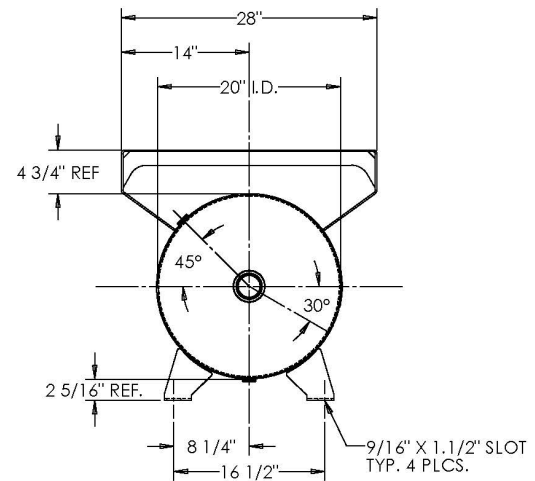


ITEM NO.	PART NO.	DESCRIPTION	QTY.
3	F10440	2"-NPT 1500# FLAT FLANGE	1
4	F10440	2"-NPT 1500# FLAT FLANGE	1
5	F10250	1/2"-NPT 1500# FLAT FLANGE	1
6	F31826	1/4"-NPT 1500# FLAT FLANGE	1
7	A55178	20" WING FOOT	4
8	A96090	TOPPLATE ASY.	1
9	A20910	ASME DATA PLATE	1

ITEM #4 HAS AN IRON PLUG, ALL OTHER OPENINGS HAVE PLASTIC PLUGS



APPROVED BY: _____ DATE: _____



NOTES:

CODE 2010/A- APPROVED DP
RELEASED FOR PRODUCTION
Q.C. _____ DATE _____

SPECIFICATIONS			
I.D. 20	LGTH. 63	MAWP 200 PSI @ 400°F	
WT. 364	LBS.		
S.A. 29.2	SQ.FT.		
GAL. 80	CU.FT. 10.8	CRN: E7399.2C	W
CODE: ASME Section VIII, Div.1, LATEST EDITION & ADDENDA		EXMT UG20(f)	CORR ALW 0 SH 0 HD
STD. TOLERANCES: M-2461 (UNLESS OTHERWISE NOTED)		WELD DETAILS: M-1932	
REVISION			
ZONE	REV. BY	DATE	APP.

OMEGA COMPRESSORS

HORIZONTAL AIR RECEIVER

PAINTLINE PRODUCTS

FILE LOCATION: O:\SolidWorks\3000\309247

DRAWN BY: _____ DATE: _____

APPR. BY: _____ DATE: _____

SCALE: NONE

DRWG NO. **AR-H80-RSTD**