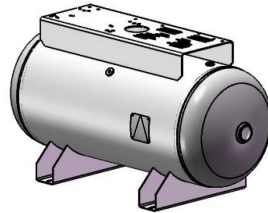


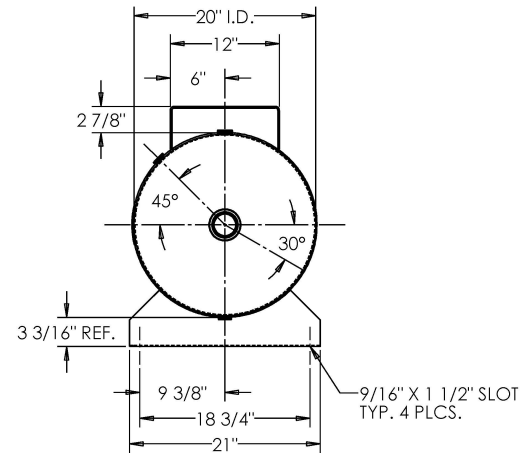
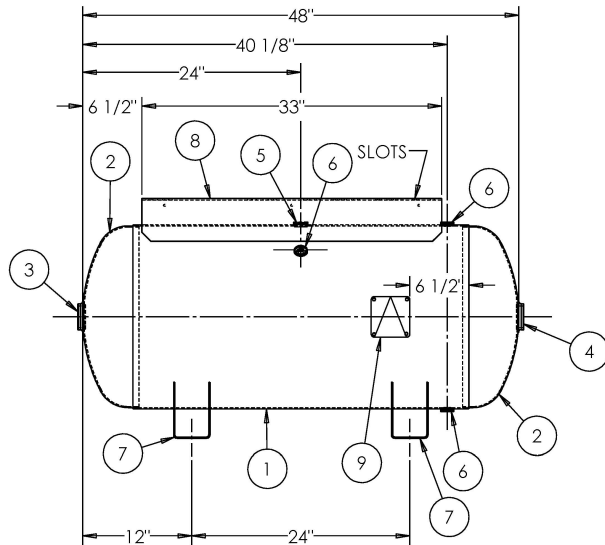
# OMEGA COMPRESSORS

For us, it's not just business. It's personal.



ITEM NO.	PART NO.	DESCRIPTION	QTY.
3	F10440	2"-NPT 1500# FLAT FLANGE	1
4	F10440	2"-NPT 1500# FLAT FLANGE	1
5	F31840	3/4"-NPT 1500# FLAT FLANGE	1
6	F31826	1/4"-NPT 1500# FLAT FLANGE	3

APPROVED BY: \_\_\_\_\_ DATE: \_\_\_\_\_



NOTES:

CODE 2010/A- APPROVED DP  
RELEASED FOR PRODUCTION  
Q.C. \_\_\_\_\_ DATE \_\_\_\_\_

SPECIFICATIONS			
I.D. 20	LGTH. 48	MAWP 200 PSI @ 400°F	
WT. 213	LBS.		
S.A. 22.6	SQ.FT.		
GAL. 60	CU.FT. 8	CRN: E7399.2C	W
CODE: ASME Section VIII, Div.1, LATEST EDITION & ADDENDA		EXMT UG20(f)	CORR ALW 0 SH 0 HD
STD. TOLERANCES: M-2461 (UNLESS OTHERWISE NOTED)		WELD DETAILS: M-1932	
REVISIONS			
ZONE	REV	DESCRIPTION	DATE APP.

**OMEGA COMPRESSORS**

**HORIZONTAL AIR RECEIVER**

**OMEGA COMPRESSORS**

FILE LOCATION: O:\SolidWorks\3000\309242

DRAWN BY: \_\_\_\_\_ DATE: \_\_\_\_\_

APPR. BY: \_\_\_\_\_ DATE: \_\_\_\_\_

SCALE: NONE

DRWG NO. **AR-H60**