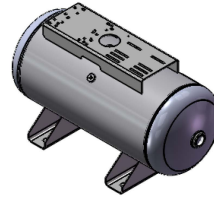


OMEGA COMPRESSORS

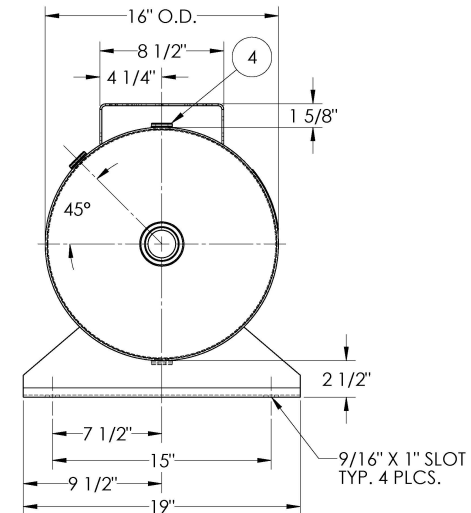
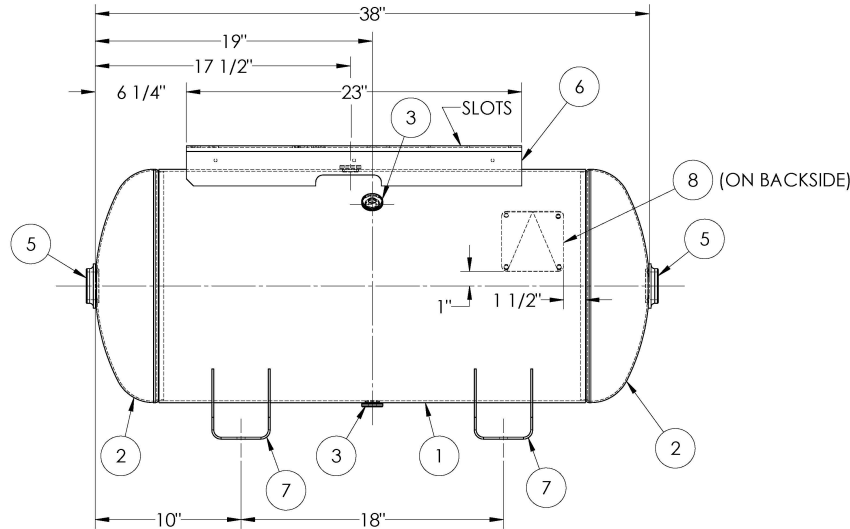
For us, it's not just business. It's personal.



APPROVED BY: _____ DATE: _____

ITEM NO.	PART NO.	DESCRIPTION	QTY.
3	F31826	1/4"-NPT 1500# FLAT FLANGE	2
4	F10250	1/2"-NPT 1500# FLAT FLANGE	1
5	F10350	1 1/2"-NPT 1500# FLAT FLANGE	2
6	A96036	10GA X 8 1/2" X 23" TOPPLATE	1
7	A95269	10GA X 4" X 19" SADDLE	2
8	A20910	ASME DATA PLATE	1

ALL OPENINGS ARE SHIPPED WITH PLASTIC PLUGS.



NOTES:

CODE 2010/2011α APPROVED DP
RELEASED FOR PRODUCTION
Q.C. _____ DATE _____

SPECIFICATIONS			
O.D. 16	LGTH. 38	MAWP 200	PSI @ 400°F
WT. 102	LBS.		
S.A. 14.1	SQ.FT.		
GAL. 30	CU.FT. 4	CRN: F2151.1C	W
CODE: ASME Section VIII, Div.1, LATEST EDITION & ADDENDA EXMT UG20(f) CORR ALW 0 SH 0 HD			
STD. TOLERANCES: M-2461 (UNLESS OTHERWISE NOTED) WELD DETAILS: M-1932			
REVISIONS			
ZONE	REV.	BY	DATE APP.

OMEGA COMPRESSORS

HORIZONTAL AIR RECEIVER
PAINTLINE PRODUCTS

FILE LOCATION: O:\SolidWorks\3000\309296

DRAWN BY: _____ DATE: _____

APPR. BY: _____ DATE: _____

SCALE: NONE

DRWG NO. **AR-H30**