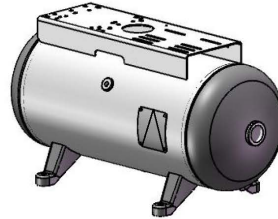
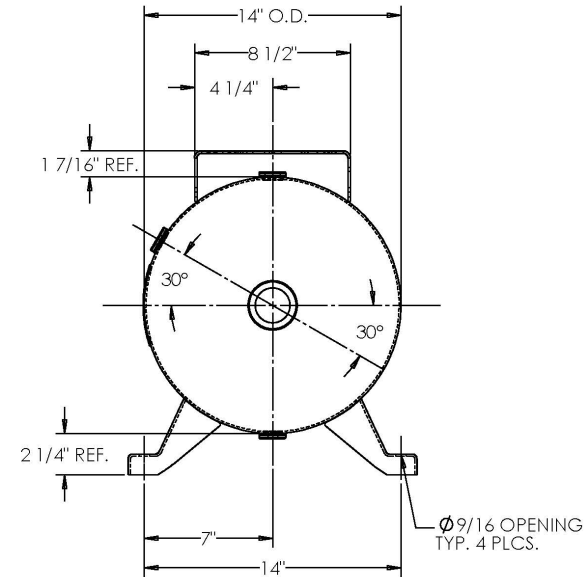
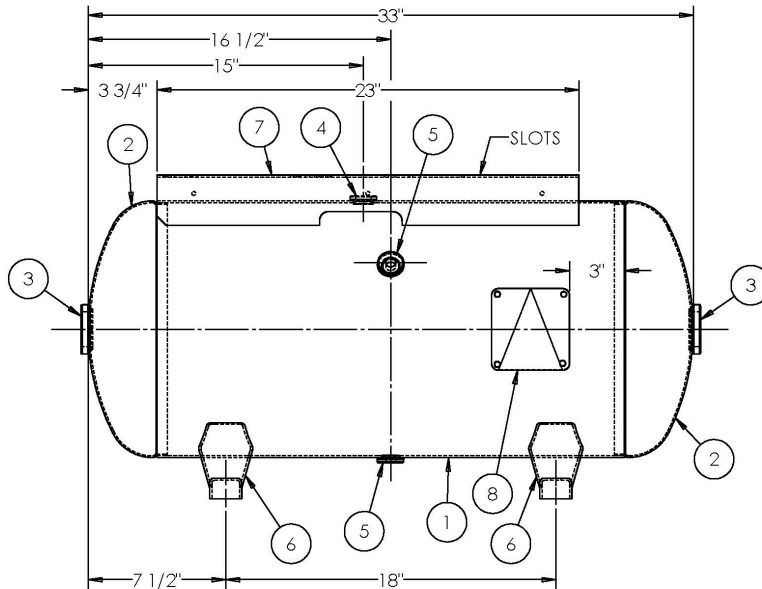


# OMEGA COMPRESSORS

For us, it's not just business. It's personal.



ITEM NO.	PART NO.	DESCRIPTION	QTY.
3	F30315	1 1/2"-NPT 1500# FLAT FLANGE O-RING	2
4	F10250	1/2"-NPT 1500# FLAT FLANGE	1
5	F31826	1/4"-NPT 1500# FLAT FLANGE	2
6	A58320	DEFIANCE FOOT H181V	4
7	A96036	TOPPLATE	1
8	A20910	ASME DATA PLATE	1



NOTES:

CODE 2010/A- APPROVED DP  
RELEASED FOR PRODUCTION  
Q.C. DATE

SPECIFICATIONS

O.D. 14 LGTH. 33 MAWP 200 PSI @ 400°F  
 WT. 66 LBS.  
 S.A. 10.7 SQ.FT.  
 GAL. 20 CU.FT. 2.6 CRN: H5605.5123467890 W  
 CODE: ASME Section VIII, Div.1, LATEST EDITION & ADDENDA EXMT UG20(f) CORR ALW 0 SH 0 HD  
 STD. TOLERANCES: M-2461 (UNLESS OTHERWISE NOTED) WELD DETAILS: M-1932

**OMEGA COMPRESSORS**  
**HORIZONTAL AIR RECEIVER**  
**PAINTLINE PRODUCTS**

FILE LOCATION: O:\SolidWorks\3000\309241

DRAWN BY: DATE:

APPR. BY: DATE:

SCALE: NONE DRWG NO. **AR-H20**

ZONE	REV.	BY	DESCRIPTION	DATE	APP.
	A	BMK	TOPPLATE BED WAS 8", REVISED CLEARANCE DIM. WT. WAS 65#. SEE OBSO.	10/19/2011	-