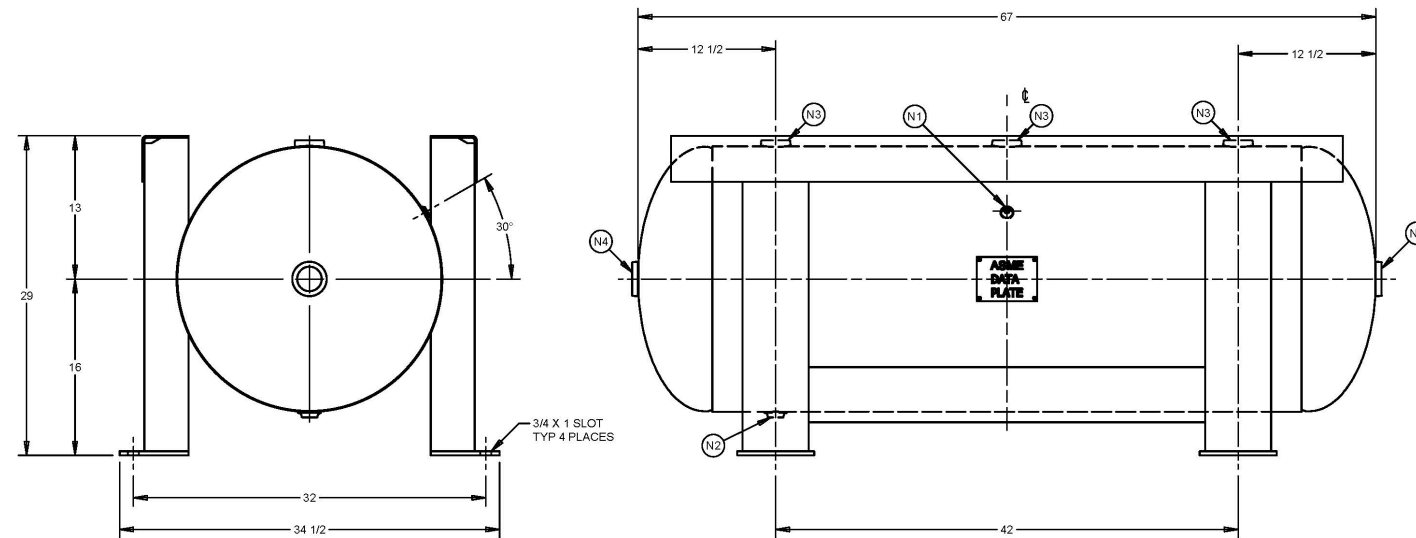


OMEGA COMPRESSORS

For us, it's not just business. It's personal.

NOZZLE CHART	
NOZZLE ID	NPT SIZE
N1	1/4
N2	3/4
N3	1 1/2
N4	2



DESIGN INFORMATION	
SPECIFICATION	VALUE
DIAMETER O.D./I.D.	24 O.D.
MAWP	200 PSI AT 450°F
MDMT	-20°F AT 200 PSI
CAPACITY	APPROX 120 GALLONS
SHIPPING WEIGHT	492 LBS
CRN	L4034.5C

TITLE HORIZONTAL AIR RECEIVER		OMEGA COMPRESSORS	
CUSTOMER STOCK	DRAWN KAT	CHECKED DMM	DRAWING NO AR-H120FM
TYPE ASME	REV B11	DATE 10/14/2016	REV B11
SIZE: B		SHEET 1 OF 1	

(BUILT IN ACCORDANCE WITH LATEST EDITION OF SECTION VIII DIV 1 ASME CODE)
THIS DRAWING & SPECIFICATIONS ARE PROPERTY OF SPVG AND MAY NOT BE COPIED, REPRODUCED, OR USED IN WHOLE OR PART, AS A BASIS FOR DESIGN MANUFACTURE OR SALE WITHOUT PRIOR PERMISSION FROM SPVG.

REV	ISSUED	DESCRIPTION	BY	DATE