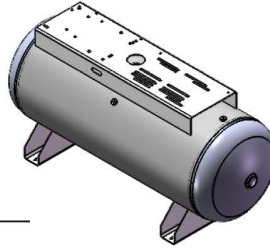


OMEGA COMPRESSORS

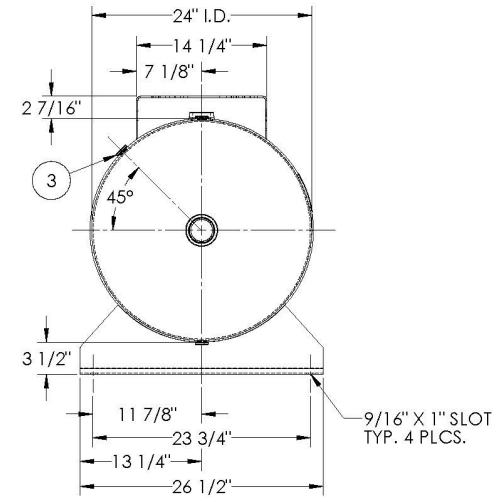
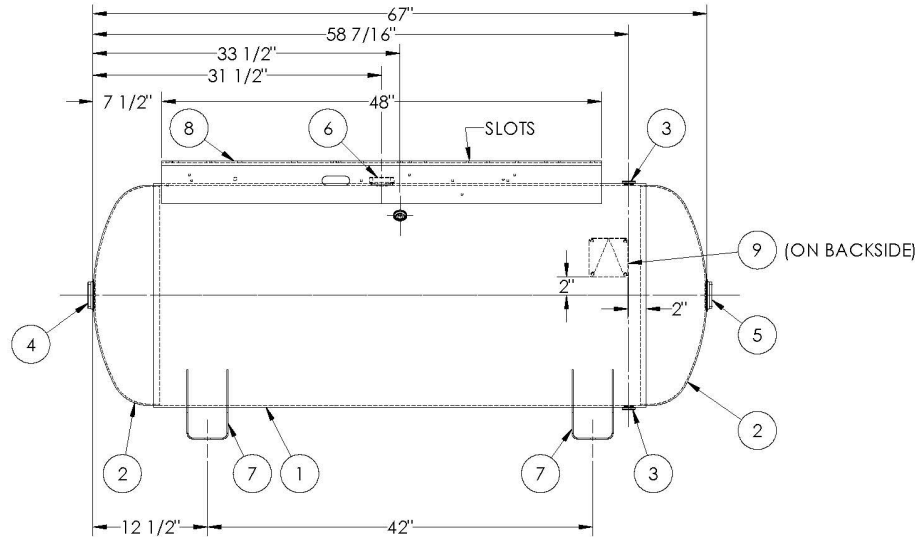
For us, it's not just business. It's personal.



APPROVED BY: _____ DATE: _____

ITEM NO.	PART NO.	DESCRIPTION	QTY.
3	F31826	1/4"-NPT 1500# FLAT FLANGE	3
4	F10440	2"-NPT 1500# FLAT FLANGE	1
5	F10440	2"-NPT 1500# FLAT FLANGE	1
6	F12430	1 1/2"-NPT 1500# RADIAL FLANGE	1
7	A95277	SADDLE	2
8	A96075	TOPPLATE	1
9	A20910	ASME DATA PLATE	1

ITEM 5 HAS AN IRON PLUG.
ALL OTHER OPENINGS HAVE PLASTIC PLUGS.



NOTES:

CODE 2010/A- APPROVED DP
RELEASED FOR PRODUCTION
Q.C. _____ DATE _____

SPECIFICATIONS

I.D. 24 LGTH. 67 MAWP 200 PSI @ 400°F
 WT. 373 LBS.
 S.A. 37.5 SQ.FT.
 GAL. 120 CU.FT. 16.4 CRN: E7400.2C W
 CODE: ASME Section VIII, Div.1, LATEST EDITION & ADDENDA EXMT UG20(f) CORR ALW 0 SH 0 HD
 STD. TOLERANCES: M-2461 (UNLESS OTHERWISE NOTED) WELD DETAILS: M-1932

OMEGA COMPRESSORS

**HORIZONTAL AIR RECEIVER
PAINTLINE PRODUCTS**

FILE LOCATION: O:\SolidWorks\3000\309245

DRAWN BY: _____ DATE: _____

APPR. BY: _____ DATE: _____

SCALE: NONE DRWG. NO. **AR-H120**



ZONE	REV.	BY	DESCRIPTION	DATE	APP.