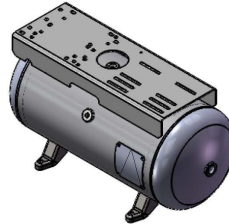


OMEGA COMPRESSORS

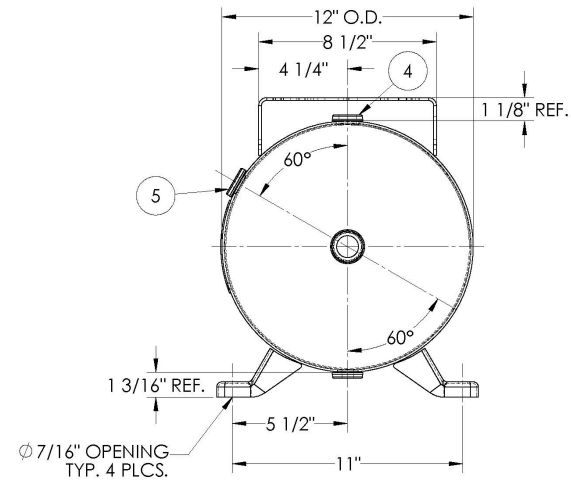
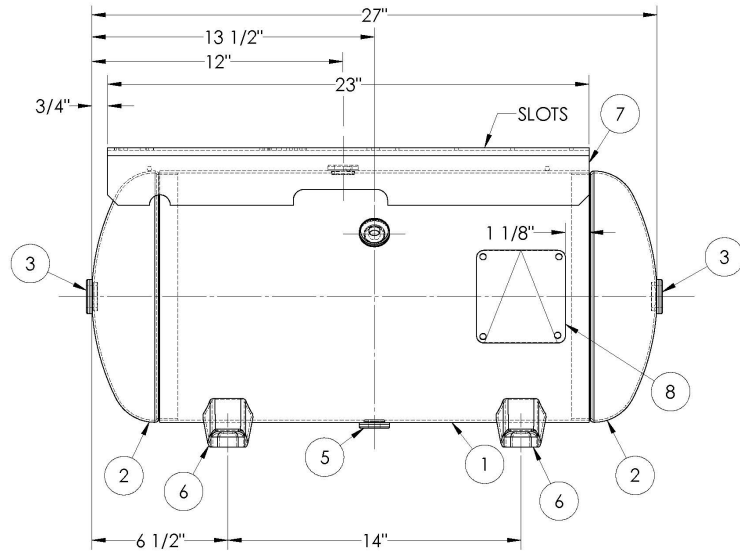
For us, it's not just business. It's personal.



ITEM NO.	PART NO.	DESCRIPTION	QTY.
3	F31840	3/4"-NPT 1500# FLAT FLANGE	2
4	F10250	1/2"-NPT 1500# FLAT FLANGE	1
5	F31826	1/4"-NPT 1500# FLAT FLANGE	2
6	A21150.1	FOOT PRESSED STEEL H1011X W/HOLE	4
7	A96133	TOPPLATE	1
8	A20910	ASME DATA PLATE	1

APPROVED BY: _____ DATE: _____

ALL OPENINGS HAVE PLASTIC PLUGS.



NOTES:

SPECIFICATIONS

O.D. 12 LGTH. 27 MAWP 200 PSI @ 400°F
 WT. 49 LBS.
 S.A. 7.5 SQ.FT.
 GAL. 11.8 CU.FT. 1.6 CRN: F1144.1C W
 CODE: ASME Section VIII, Div.1, LATEST EDITION & ADDENDA EXMT UG20(f) CORR ALW 0 SH 0 HD
 STD. TOLERANCES: M-2461 (UNLESS OTHERWISE NOTED) WELD DETAILS: M-1932

OMEGA COMPRESSORS

**HORIZONTAL AIR RECEIVER
 PAINTLINE PRODUCTS**

FILE LOCATION: O:\SolidWorks\3000\309263

DRAWN BY: _____ DATE: _____

APPR. BY: _____ DATE: _____

SCALE: NONE DRWG NO. **AR-H12**

CODE 2010/A- APPROVED DP
 RELEASED FOR PRODUCTION
 Q.C. _____ DATE _____



ZONE	REV.	BY	DESCRIPTION	DATE	APP.