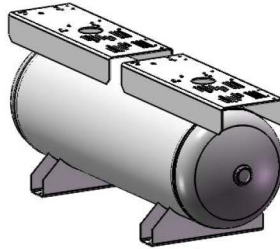


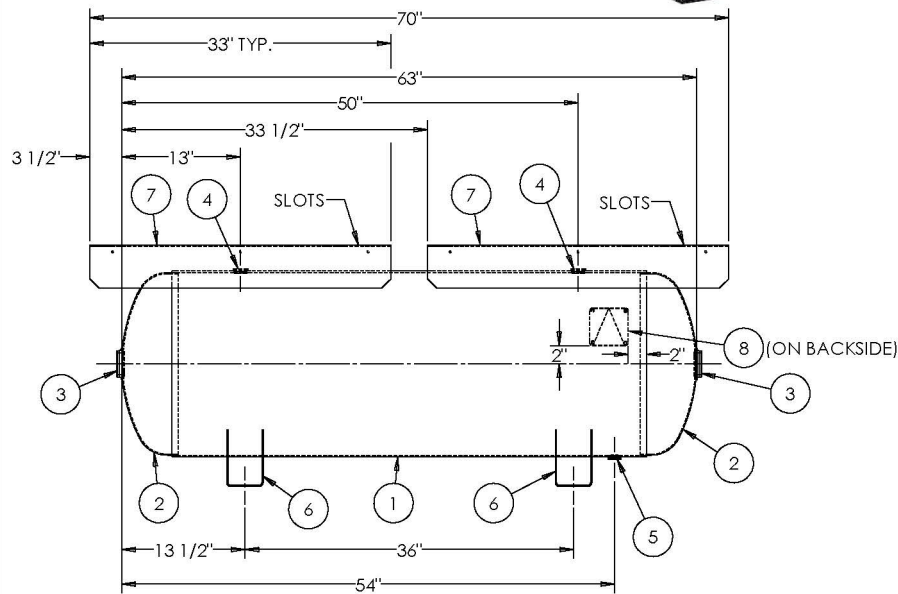
OMEGA COMPRESSORS

For us, it's not just business. It's personal.

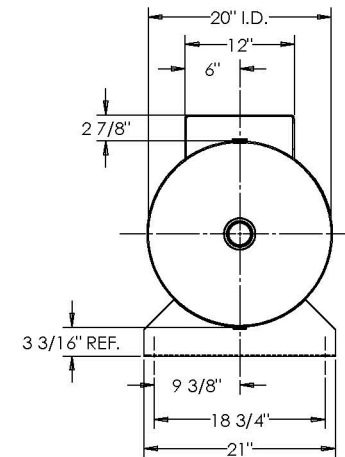


ITEM NO.	PART NO.	DESCRIPTION	QTY.
3	F10440	2"-NPT 1500# FLAT FLANGE	2
4	F31840	3/4"-NPT 1500# FLAT FLANGE	2
5	F31826	1/4"-NPT 1500# FLAT FLANGE	1
6	A89653	SADDLE	2
7	A96066	TOPPLATE	2
8	A20910	ASME DATA PLATE	1

ALL FITTINGS SHIPPED WITH PLASTIC PLUGS



APPROVED BY: _____ DATE: _____



NOTES:

CODE 2010/2011g APPROVED DP
RELEASED FOR PRODUCTION
Q.C. _____ DATE _____

SPECIFICATIONS

I.D. 20 LGTH. 63 MAWP 200 PSI @ 400°F
 WT. 288 LBS.
 S.A. 29.2 SQ.FT.
 GAL. 80 CU.FT. 10.8 CRN: E7399.2C
 CODE: ASME Section VIII, Div.1, LATEST EDITION & ADDENDA EXMT UG20(f) CORR ALW 0 SH 0 HD
 STD. TOLERANCES: M-2461 (UNLESS OTHERWISE NOTED) WELD DETAILS: M-1932

OMEGA COMPRESSORS

HORIZONTAL AIR RECEIVER
PAINTLINE PRODUCTS

FILE LOCATION: O:\SolidWorks\3000\309279

DRAWN BY: _____ DATE: _____

APPR. BY: _____ DATE: _____

SCALE: NONE DRWG NO. AR-DH80



ZONE	REV.	BY	DESCRIPTION	DATE	APP.