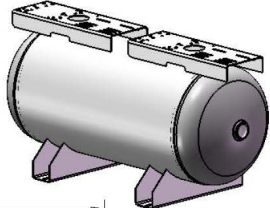
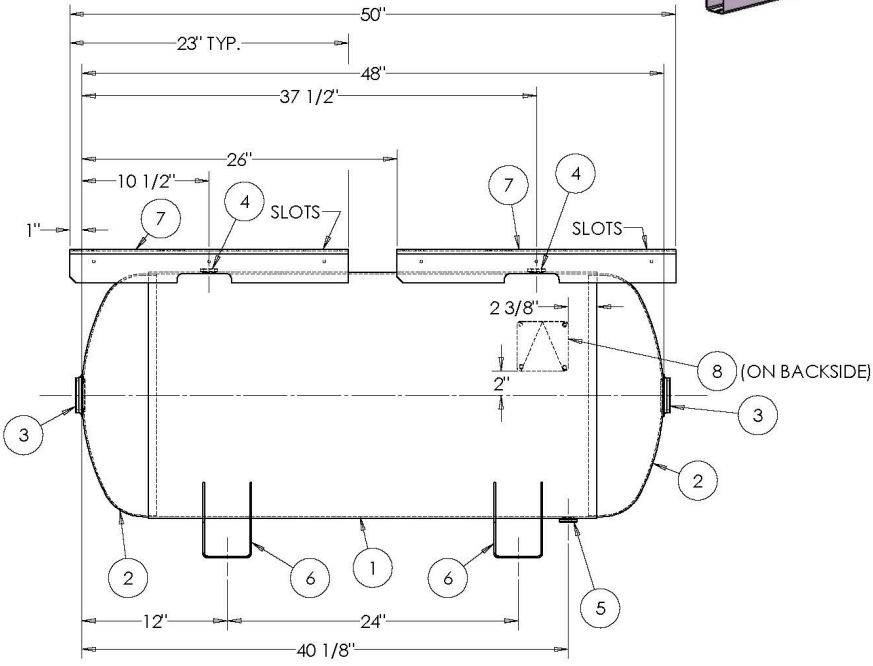


OMEGA COMPRESSORS

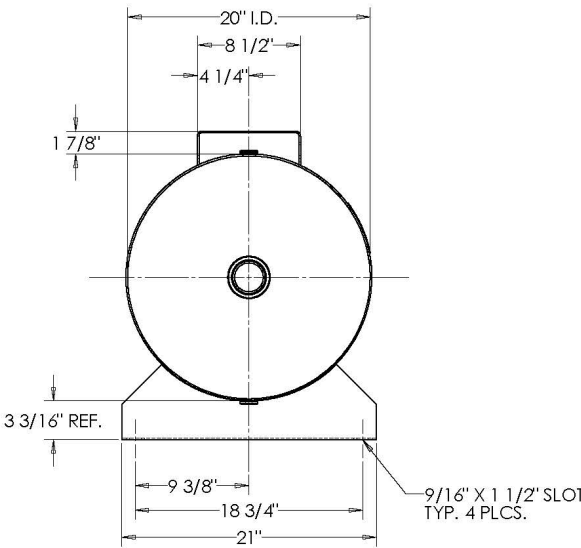
For us, it's not just business. It's personal.


APPROVED BY: _____ DATE: _____

ITEM NO.	PART NO.	DESCRIPTION	QTY.
3	F10440	2"-NPT 1500# FLAT FLANGE	2
4	F10250	1/2"-NPT 1500# FLAT FLANGE	2
5	F31826	1/4"-NPT 1500# FLAT FLANGE	1
6	A89653	SADDLE	2
7	A96036	TOPPLATE	2
8	A20910	ASME DATA PLATE	1

ALL FITTINGS SHIPPED WITH PLASTIC PLUGS



<p>NOTES:</p> <p>CODE 2010/2011a APPROVED DP RELEASED FOR PRODUCTION Q.C. DATE</p>	<p style="text-align: center;">SPECIFICATIONS</p> <p>I.D. 20 LGTH. 48 MAWP 200 PSI @ 400°F WT. 203 LBS. S.A. 22.6 SQ.FT. GAL. 60 CU.FT. 8 CRN: E7399.2C CODE: ASME Section VIII, Div.1, LATEST EDITION & ADDENDA EXMT UG20(I) CORR ALW 0 SH 0 HD STD. TOLERANCES: M-2461 (UNLESS OTHERWISE NOTED) WELD DETAILS: M-1932</p>	 <p>HORIZONTAL AIR RECEIVER OMEGA COMPRESSORS</p> <p>FILE LOCATION: O:\SolidWorks\3000\309278 DRAWN BY: DATE: APPR. BY: DATE: SCALE: NONE DRWG NO. AR-DH60</p>												
<table border="1" style="width: 100%; border-collapse: collapse;"> <thead> <tr> <th colspan="4">REVISIONS</th> </tr> <tr> <th>ZONE</th> <th>REV</th> <th>BY</th> <th>DATE</th> </tr> </thead> <tbody> <tr> <td> </td> <td> </td> <td> </td> <td> </td> </tr> </tbody> </table>			REVISIONS				ZONE	REV	BY	DATE				
REVISIONS														
ZONE	REV	BY	DATE											