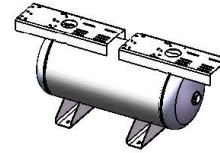


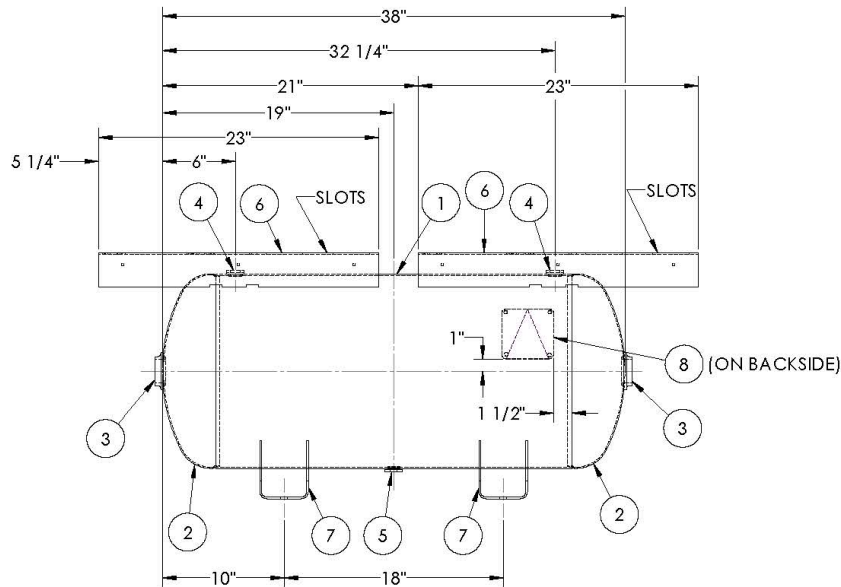
# OMEGA COMPRESSORS

For us, it's not just business. It's personal.

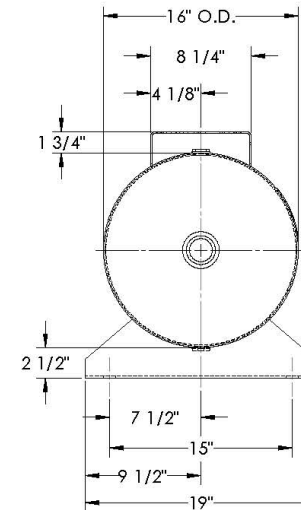
APPROVED BY: \_\_\_\_\_ DATE: \_\_\_\_\_



ITEM NO.	PART NO.	DESCRIPTION	QTY.
1	310058-SL	SHELL LAYOUT FOR 16" TANK	1
2	H32011	.099 MIN. 16" O.D. 2:1 ELLIP. JOG. HEAD	2
3	F10350	1 1/2"-NPT 1500# FLAT FLANGE	2
4	F10250	1/2"-NPT 1500# FLAT FLANGE	2
5	F31826	1/4"-NPT 1500# FLAT FLANGE	1
6	A97605	TOPPLATE 10 GA	2
7	A95269	10GA X 4" X 19" SADDLE	2
8	A20910	ASME DATA PLATE	1



**ALL OPENINGS HAVE PLASTIC SHIPPING PLUGS**



NOTES:

SPECIFICATIONS

O.D. 16 LGTH. 38  
 WT. 111 LBS. MAWP 200 PSI @ 400°F  
 S.A. 14.1 SQ.FT.  
 GAL. 30 CU.FT.4 CRN: F2151.1C W  
 CODE: ASME Section VIII, Div.1, LATEST EDITION & ADDENDA EXMT UG-20(f) CORR ALW 0 SH 0 HD  
 STD. TOLERANCES: M-2461 (UNLESS OTHERWISE NOTED) WELD DETAILS: M-1932

**OMEGA COMPRESSORS**

**HORIZONTAL AIR RECEIVER  
 PAINTLINE PRODUCTS**

FILE LOCATION: O:\SolidWorks\3000\310058

DRAWN BY: \_\_\_\_\_ DATE: \_\_\_\_\_

APPR. BY: \_\_\_\_\_ DATE: \_\_\_\_\_

SCALE: NONE DRWG NO. **AR-DH30**

CODE 2010/2011g APPROVED DP  
 RELEASED FOR PRODUCTION  
 Q.C. \_\_\_\_\_ DATE \_\_\_\_\_



REV.	BY	DESCRIPTION	DATE	APP.