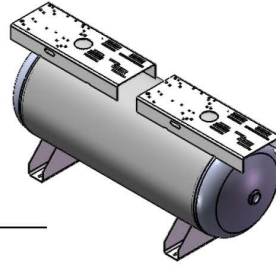


OMEGA COMPRESSORS

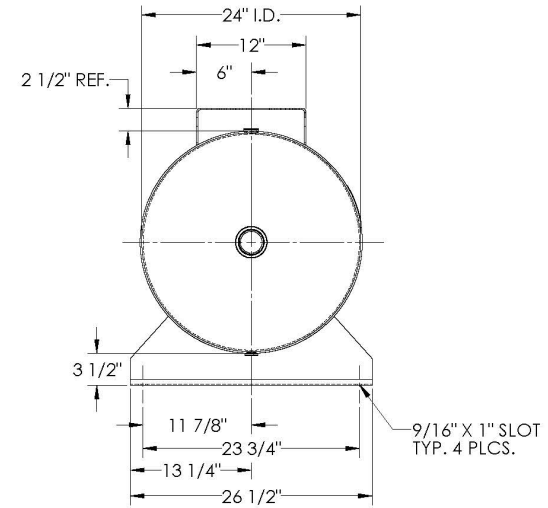
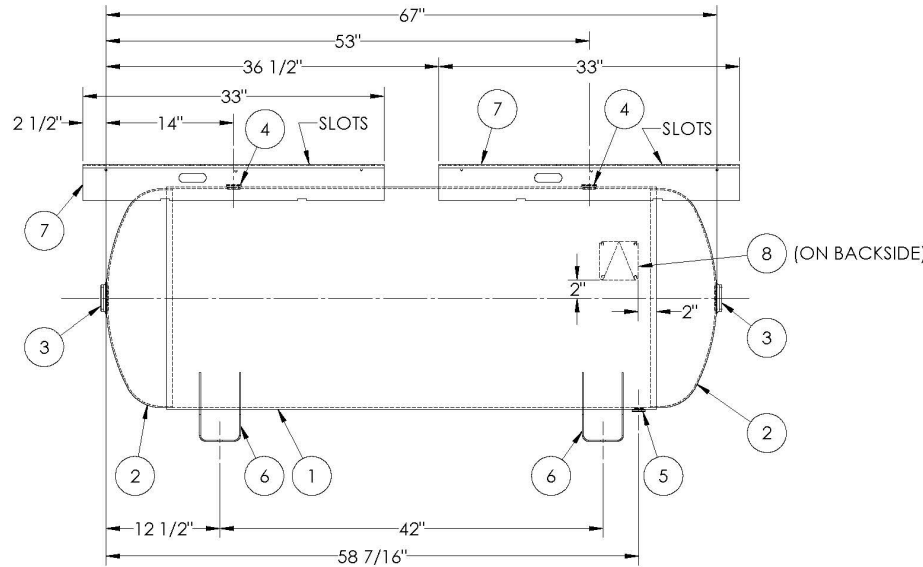
For us, it's not just business. It's personal.



APPROVED BY: _____ DATE: _____

ITEM NO.	PART NO.	DESCRIPTION	QTY.
3	F10440	2"-NPT 1500# FLAT FLANGE	2
4	F31840	3/4"-NPT 1500# FLAT FLANGE	2
5	F31826	1/4"-NPT 1500# FLAT FLANGE	1
6	A95277	SADDLE	2
7	A97525	7GA TOPPLATE	2
8	A20910	ASME DATA PLATE	1

ALL OPENINGS HAVE PLASTIC SHIPPING PLUGS INSTALLED.



NOTES:	SPECIFICATIONS	OMEGA COMPRESSORS	
CODE 2010/2011a APPROVED DP RELEASED FOR PRODUCTION Q.C. _____ DATE _____	I.D. 24 LGTH. 67 WT. 382 LBS. S.A. 37.5 SQ.FT. GAL. 120 CU.FT. 16.4 CRN: E7400.2C CODE: ASME Section VIII, Div.1, LATEST EDITION & ADDENDA EXMT UG20(f) CORR ALW 0 SH 0 HD STD. TOLERANCES: M-2461 (UNLESS OTHERWISE NOTED)	HORIZONTAL AIR RECEIVER PAINTLINE PRODUCTS	
		FILE LOCATION: O:\SolidWorks\3000\310010 DRAWN BY: _____ DATE: _____ APPR. BY: _____ DATE: _____ SCALE: NONE DRWG NO. AR-DH120	
REV. BY: _____ DESCRIPTION: _____ DATE: _____ APP. _____			