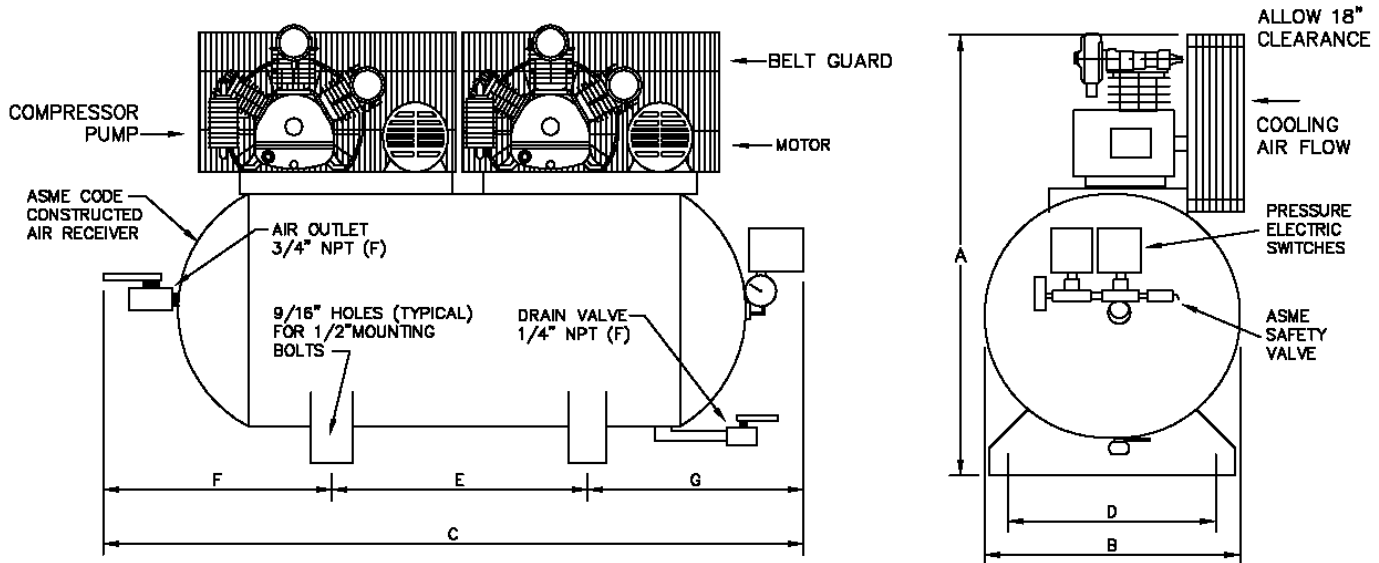


OMEGA COMPRESSORS

For us, it's not just business. It's personal.

TK-DX-75240



PERFORMANCE DATA

MODEL	HP	DELIVERY		PRESSURE SETTINGS		RECEIVER		COMPRESSOR			
		SCFM	L/S	PSIG	KPA	Gal	US. LITERS	PUMP	RPM	CYL	STGS
TK-DX-75240	7.5	2X27	2X12.75	115-150	793-1034	240	905	TK-100	630	3	2

DIMENSIONAL DATA (inches)

MODEL	A	B	C	D	E	F	G
TK-DX-75240	60	30	102	27.50	54	24	24

WT. DISTRIBUTION (lbs)

FT.1	FT.2	FT.3	FT.4	TOTAL
392	596	306	558	1852

ELECTRICAL DATA (60Hz)

HP.	APPROX. FULL LOAD AMPS					
	Single Phase		Three Phase			
	110V.	220V.	200V.	230V.	460V.	575V.
7.5	N/A	N/A	22.2	19.6	9.8	7.8

BELT GUARD SIDE	
2	4
1	3

OMEGA AIR COMPRESSORS	DUPLEX IND. SERIES	7.5HP TANK MOUNTED DUPLEX COMPRESSOR	Print No: Dwg: Chk'd	ESJL33S-1 Scale: Not to. Wt Dist: +-5lbs
Typical only. Data & specifications may be subject to change. May not include accessory items for any particular order.			Project Reference:	