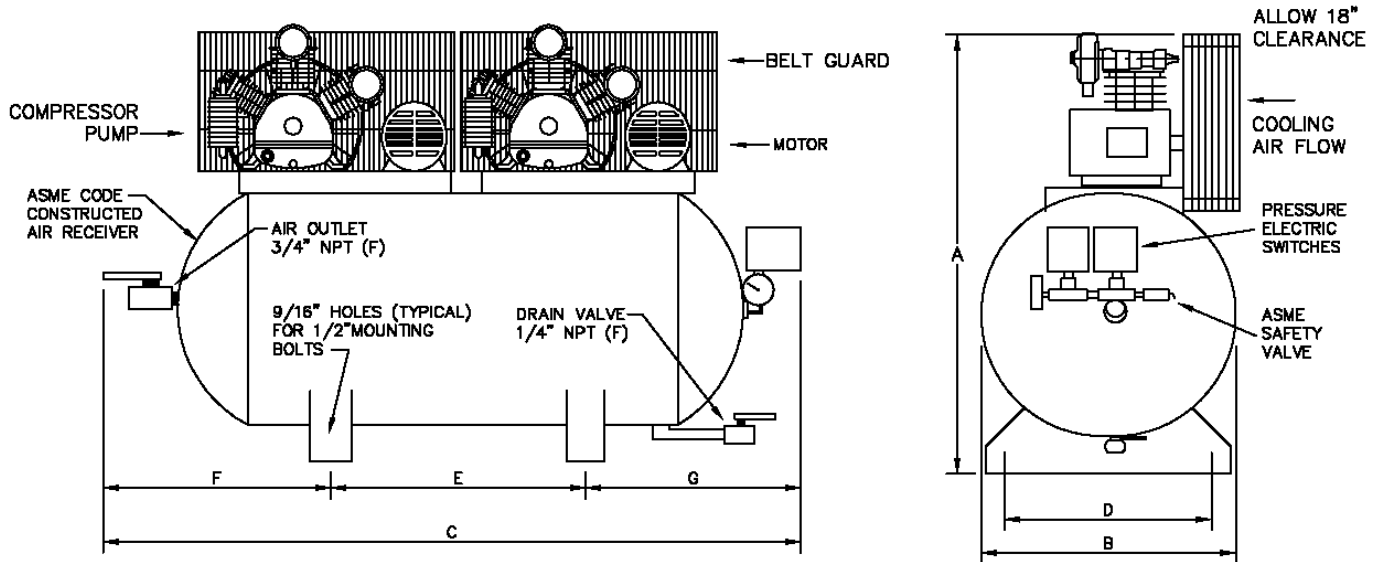


OMEGA COMPRESSORS

For us, it's not just business. It's personal.

TK-DX-5080



PERFORMANCE DATA

MODEL	HP	DELIVERY		PRESSURE SETTINGS		RECEIVER		COMPRESSOR			
		SCFM	L/S	PSIG	KPA	Gal	US. LITERS	PUMP	RPM	CYL	STGS
TK-DX-5080	5	19.1	9.02	120 - 150	828 - 1034	80	378	TK-50	960	3	2

DIMENSIONAL DATA (inches)

MODEL	A	B	C	D	E	F	G
TK-DX-5080	46	22	78	18.75	36	21	21

WT. DISTRIBUTION (lbs)

FT.1	FT.2	FT.3	FT.4	TOTAL
177	287	153	247	864

ELECTRICAL DATA (60Hz)

HP.	APPROX. FULL LOAD AMPS					
	Single Phase		Three Phase			
	110V.	220V.	200V.	230V.	460V.	575V.
5	N/A	21.0	15.0	13.8	6.9	5.5

BELT GUARD SIDE	
2	4
1	3

OMEGA AIR COMPRESSORS	INDUSTRIAL SERIES	5HP TANK MOUNTED DUPLEX COMPRESSOR	Print No: Dwg: Chk'd	ESJL33S-1 Scale: Not to. Wt Dist: +-5lbs
------------------------------	--------------------------	-------------------------------------------	----------------------------	-------------------------------------------------------

Typical only. Data & specifications may be subject to change. May not include accessory items for any particular order.

Project Reference: