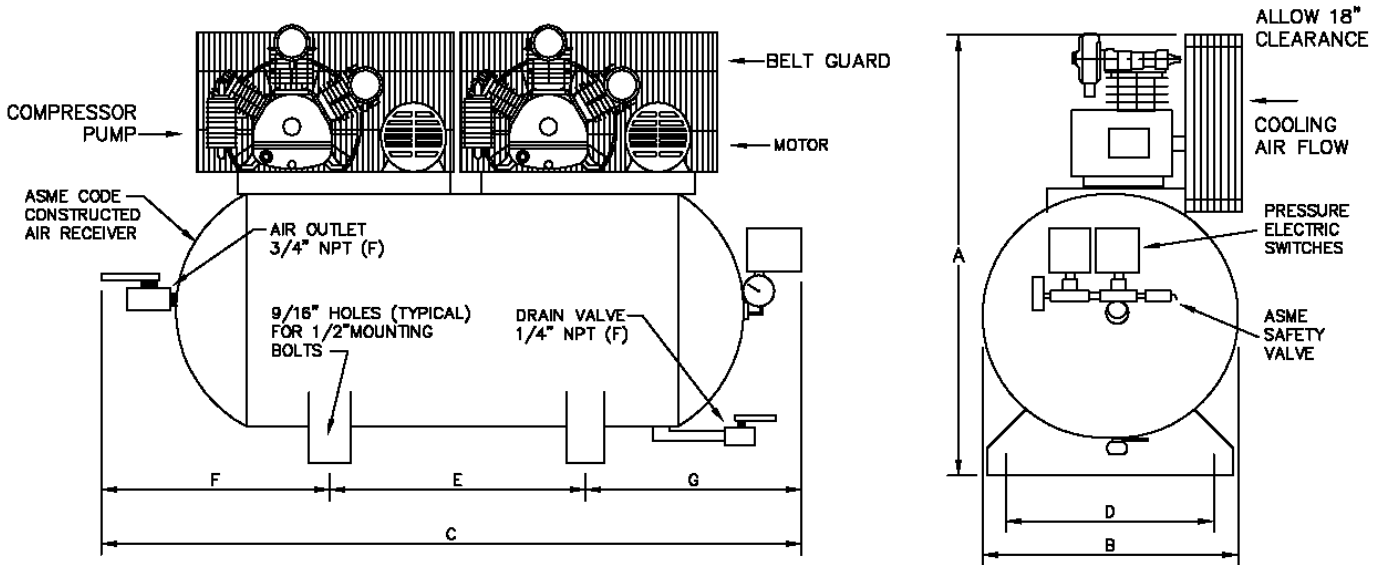


OMEGA COMPRESSORS

For us, it's not just business. It's personal.

TK-DX-100240



PERFORMANCE DATA

MODEL	HP	DELIVERY		PRESSURE SETTINGS		RECEIVER		COMPRESSOR			
		SCFM	L/S	PSIG	KPA	Gal	US. LITERS	PUMP	RPM	CYL	STGS
TK-DX-100240	10	2X35.3	2X16.7	120-150	828-1034	240	905	TK-100	845	3	2

DIMENSIONAL DATA (inches)

MODEL	A	B	C	D	E	F	G
TK-DX-100240	60	30	102	27.50	54	24	24

WT. DISTRIBUTION (Lbs)

FT.1	FT.2	FT.3	FT.4	TOTAL
373	569	303	533	1778

ELECTRICAL DATA (60Hz)

HP.	..PPROX. FULL LOAD AMPS					
	Single Phase		Three Phase			
	110V.	220V.	200V.	230V.	460V.	575V.
10	N/A	N/A	27.5	25	12.5	10

BELT GUARD SIDE	
2	4
1	3

OMEGA AIR COMPRESSORS	DUPLEX IND. SERIES	10HP TANK MOUNTED DUPLEX COMPRESSOR	Print No: Dwg: Chk'd	ESJL33S-1 Scale: Not to. Wt Dist: +-5lbs
--------------------------	-----------------------	--	----------------------------	--

Typical only. Data & specifications may be subject to change.
May not include accessory items for any particular order.

Project Reference: