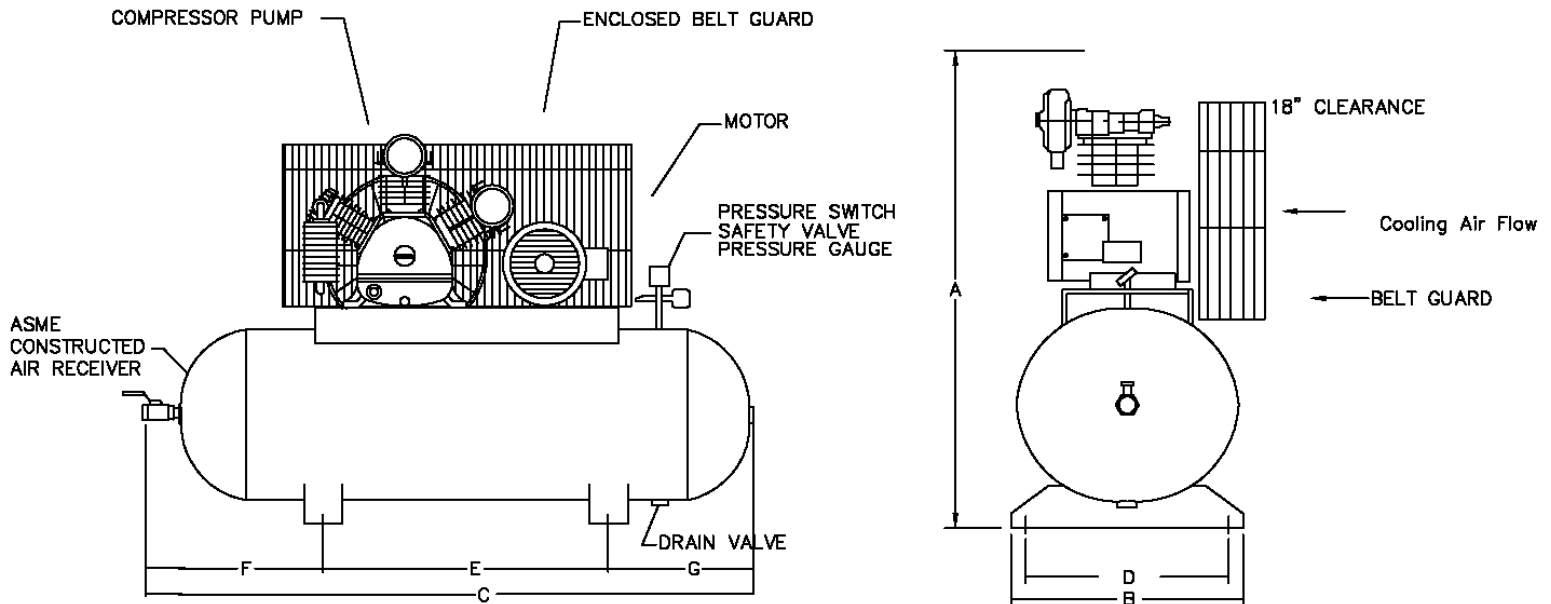


OMEGA COMPRESSORS

For us, it's not just business. It's personal.

TK-7580



PERFORMANCE DATA

MODEL	HP	DELIVERY		PRESSURE SETTINGS		RECEIVER		COMPRESSOR			
		SCFM	L/S	PSIG	KPA	Gal	US. LITERS	PUMP	RPM	CYL	STGS
TK-7580	7.5	27.5	12.98	120-150	828-1034	80	302	TK-100	630	V-3	2

DIMENSIONAL DATA (inches)

MODEL	A	B	C	D	E	F	G
TK-7580	51	22	69	18.75	36	19.5	13.5

WT. DISTRIBUTION (lbs)

FT.1	FT.2	FT.3	FT.4	TOTAL
179	217	118	207	721

ELECTRICAL DATA (60Hz)

HP.	APPROX. FULL LOAD AMPS					
	Single Phase		Three Phase			
	110V.	220V.	200V.	230V.	460V.	575V.
7.5	N/A	36.0	21.2	19.6	9.8	7.8

BELT GUARD SIDE	
2	4
1	3

OMEGA AIR COMPRESSORS	INDUSTRIAL SERIES	7.5 HP TANK MOUNTED SIMPLEX COMPRESSOR	Print No: Dwg: Chk'd	ESJL33S-1 Scale: Not to. Wt Dist: +-5lbs
Typical only. Data & specifications may be subject to change. May not include accessory items for any particular order.			Project Reference:	