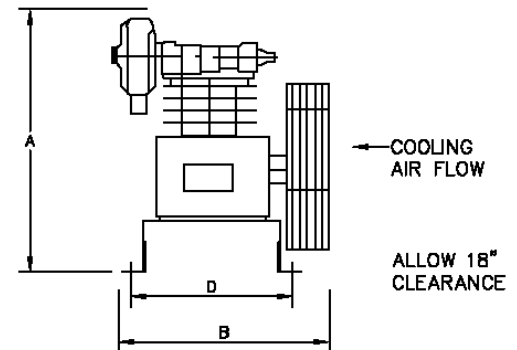
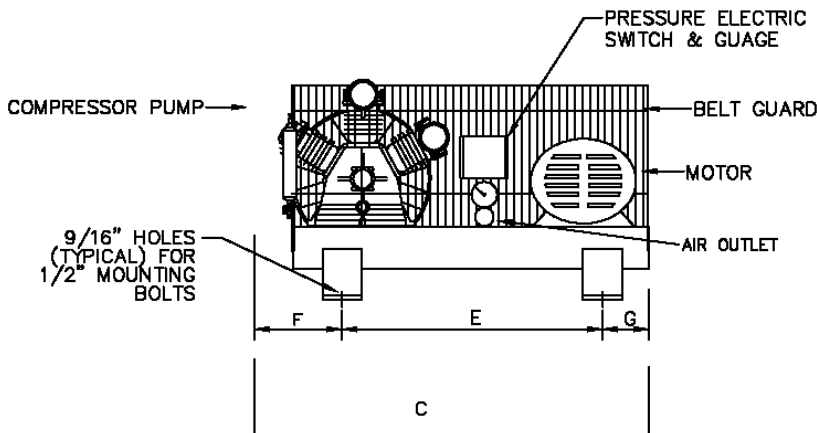


OMEGA COMPRESSORS

For us, it's not just business. It's personal.

TK-30000



PERFORMANCE DATA

MODEL	HP	DELIVERY		PRESSURE SETTINGS		RECEIVER		COMPRESSOR			
		SCFM	L/S	PSIG	KPA	Gal	US. LITERS	PUMP	RPM	CYL	STGS
TK-300000	30	115	54.3	125-175	862-1207	N/A	N/A	TK-300	850	4	2

DIMENSIONAL DATA (inches)

MODEL	A	B	C	D	E	F	G
TK-300000	39	35	63	33	35.5	15.5	12

WT. DISTRIBUTION (lbs)

FT.1	FT.2	FT.3	FT.4	TOTAL
335	398	212	381	1326

ELECTRICAL DATA (60Hz)

HP.	APPROX. FULL LOAD AMPS					
	Single Phase		Three Phase			
	110V.	220V.	200V.	230V.	460V.	575V.
30	N/A	N/A	77.8	72.0	36.0	28.6

BELT GUARD SIDE	
2	4
1	3

OMEGA AIR COMPRESSORS	INDUSTRIAL SERIES	30HP BASE MOUNTED SIMPLEX COMPRESSOR	Print No: Dwg: Chk'd	ESJL33S-1 Scale: Not to. Wt Dist: +-5lbs
Typical only. Data & specifications may be subject to change. May not include accessory items for any particular order.			Project Reference:	