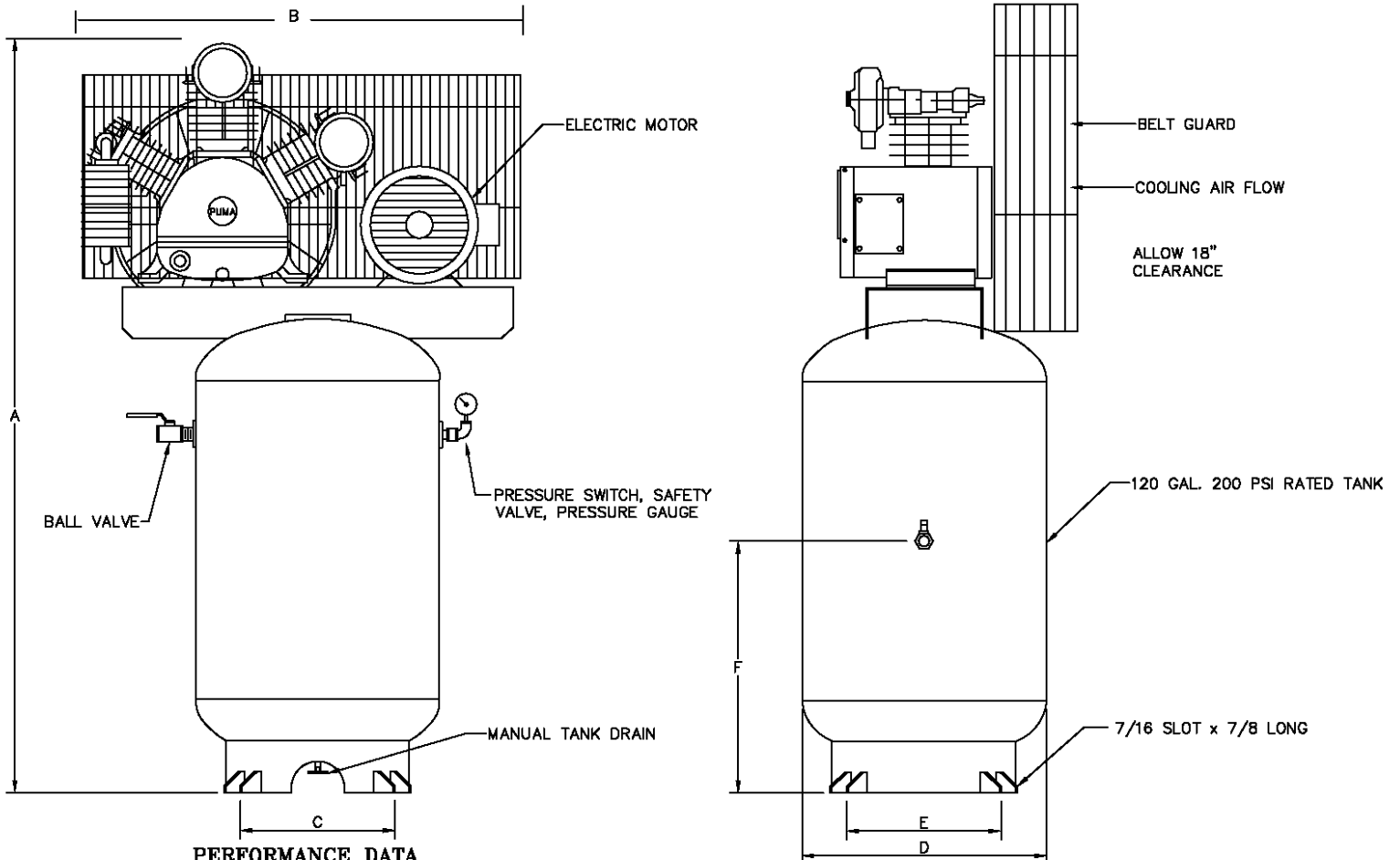


OMEGA COMPRESSORS

For us, it's not just business. It's personal.

TK-100120V



PERFORMANCE DATA

MODEL	HP	DELIVERY		PRESSURE SETTINGS		RECEIVER		COMPRESSOR			
		SCFM	L/S	PSIG	KPA	Gal	US. LITERS	PUMP	RPM	CYL	STGS
TK-100120V	10	35.3	16.66	120-150	828-1034	120	454	TK-100	845	V-3	2

DIMENSIONAL DATA (inches)

MODEL	A	B	C	D	E	F	G
TK-100120V	79	42	19	30	19	40.5	N/A

WT. DISTRIBUTION (Lbs)

FT.1	FT.2	FT.3	FT.4	TOTAL
248	298	160	286	992

ELECTRICAL DATA (60Hz)

APPROX. FULL LOAD AMPS						
HP.	Single Phase		Three Phase			
	110V.	220V.	200V.	230V.	460V.	575V.
10	N/A	43.0	27.0	25.0	12.5	10.0

BELT GUARD SIDE			
2			4
1			3

OMEGA AIR COMPRESSORS	INDUSTRIAL SERIES	10HP TANK MOUNTED SIMPLEX COMPRESSOR	Print No: Dwg: Chk'd	ESJL33S-1 Scale: Not to. Wt Dist: +-5lbs
Typical only. Data & specifications may be subject to change. May not include accessory items for any particular order.			Project Reference:	