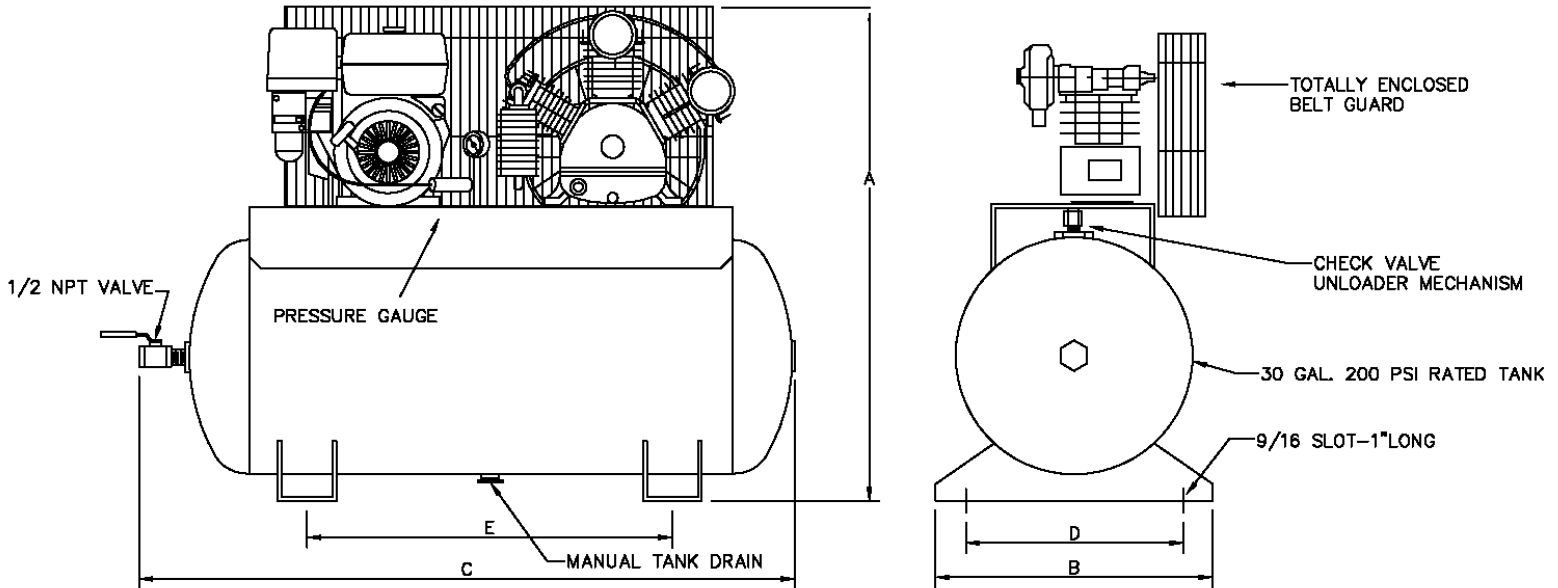


OMEGA COMPRESSORS

For us, it's not just business. It's personal.

PUK-9030G



PERFORMANCE DATA

MODEL	HP	DELIVERY		PRESSURE SETTINGS		RECEIVER		COMPRESSOR			
		SCFM	L/S	PSIG	KPA	Gal	US. LITERS	PUMP	RPM	CYL	STGS
PUK-9030G	9	17.6	8.31	100-125	690-862	30	113	PUK-65	1100	3	1

DIMENSIONAL DATA (Inches)

MODEL	A	B	C	D	E	F	G
PUK-9030G	38	20	46	15	20.75	N/A	N/A

WT. DISTRIBUTION (Lbs)

FT.1	FT.2	FT.3	FT.4	TOTAL
65	99	53	88	305

ELECTRICAL DATA (60Hz)

APPROX. FULL LOAD AMPS						
HP.	Single Phase		Three Phase			
	110V.	220V.	200V.	230V.	460V.	575V.
N/A	N/A	N/A	N/A	N/A	N/A	N/A

BELT GUARD SIDE	
2	4
1	3

OMEGA AIR COMPRESSORS	INDUSTRIAL SERIES	9HP TANK MOUNTED GAS COMPRESSOR	Print No: Dwg: Chk'd	ESJL33S-1 Scale: Not to. Wt Dist: +-5lbs
Typical only. Data & specifications may be subject to change. May not include accessory items for any particular order.			Project Reference:	