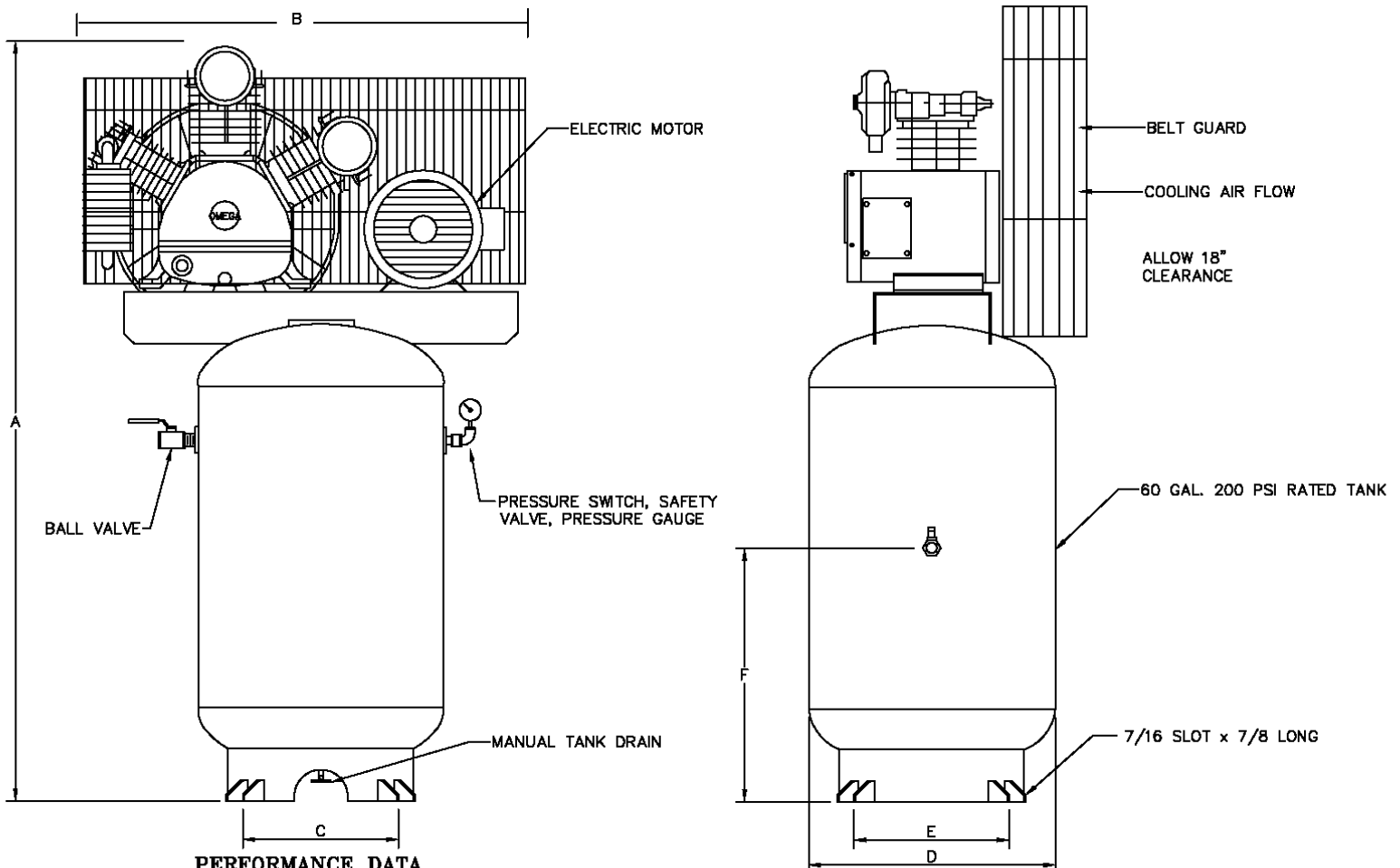


# OMEGA COMPRESSORS

For us, it's not just business. It's personal.

PK-6560V



### PERFORMANCE DATA

MODEL	HP	DELIVERY		PRESSURE SETTINGS		RECEIVER		COMPRESSOR			
		SCFM	L/S	PSIG	KPA	Gal US.	LITERS	PUMP	RPM	CYL	STGS
PK-6560V	5	18.0	6.3d	100-125	689-862	60	227	CK-40	950	3	1

### DIMENSIONAL DATA (inches)

MODEL	A	B	C	D	E	F	G
PK-6560V	65.25	30	12	20	12	41.75	N/A

### WT. DISTRIBUTION (Lbs)

FT.1	FT.2	FT.3	FT.4	TOTAL
83	102	56	89	330

### ELECTRICAL DATA (60Hz)

HP.	APPROX. FULL LOAD AMPS					
	Single Phase		Three Phase			
	110V.	220V.	200V.	230V.	460V.	575V.
5	N/A	21	N/A	N/A	N/A	N/A

### BELT GUARD SIDE

2	4
1	3

OMEGA AIR COMPRESSORS	PROFESSIONAL SERIES	5HP TANK MOUNTED VERT.COMPRESSOR	Print No: Dwg: Chk'd	ESJL33S-1 Scale: Not to. Wt Dist: +-5lbs
--------------------------	------------------------	-------------------------------------	----------------------------	--

Typical only. Data & specifications may be subject to change.  
May not include accessory items for any particular order.

Project Reference: