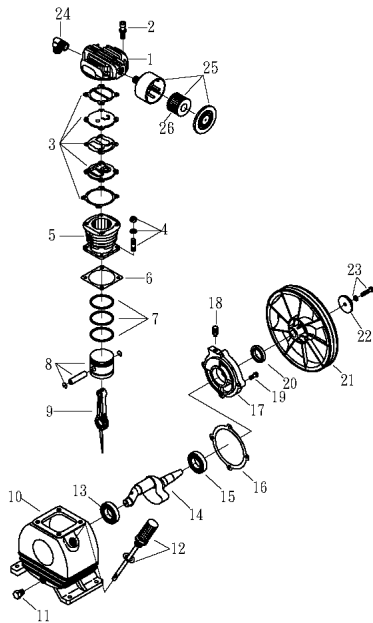


OMEGA COMPRESSORS

For us, it's not just business. It's personal.

MODEL : PK-3011 (Pump)

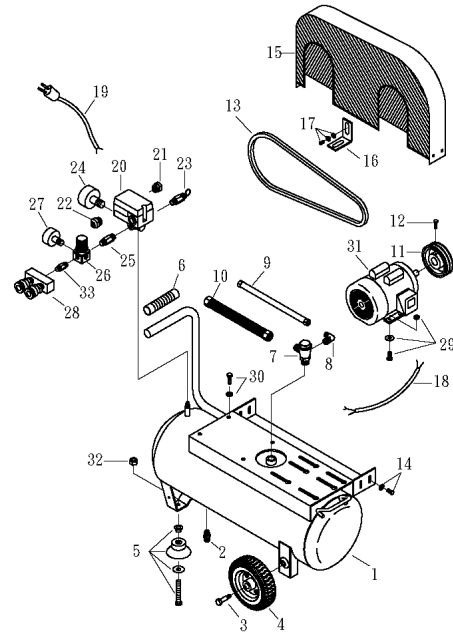


SPARE PARTS LIST

NO : QC-1912

REF. NO.	DESCRIPTION	PART NO.	QTY.	REF. NO.	DESCRIPTION	PART NO.	QTY.
1	Cylinder head	3101045	1	14	Crankshaft & balancer	3304041	1
2	Allen bolt set	3801-M06*040V	4	15	Bearing	2N35-6204Z	1
3	In. & Ex. valve assembly	3813-AC0765C	1	16	Rear bearing seat gasket	2G06-008	1
4	Double head screw set	3811-001-A	4	17	Rear bearing seat	3311013	1
5	Cylinder	3201035	1	18	Breathing cover	2321002	1
6	Cylinder gasket	2G04-003	1	19	Hexagon bolt	2800-SM08*020	4
7	Piston ring set	3832-65N	1	20	Oil seal	2N50-TC20*40*07	1
8	Piston set	3831-65N	1	21	Pulley	3P9F-165A120	1
9	Rod set	3833-H2022	1	22	Plate washer	2B30-08*35*35	1
10	Crankcase	3301013	1	23	Hexagon bolt set	3800-SM08*035AV	1
11	Oil draining plug	2N33-001	1	24	Exhaust elbow	2N06-04T04H	1
12	Oil filling plug set	2339007A	1	25	Air filter set	2140020A	1
13	Bearing	2N35-6204	1	26	Filter element	2142013	1

MODEL : PK-3011(Receiver Tank)



SPARE PARTS LIST

NO : QC-1912

REF. NO.	DESCRIPTION	PART NO.	QTY.	REF. NO.	DESCRIPTION	PART NO.	QTY.
1	Air tank	3A0-3401123QC	1	18	Cable	2E02-2031052Y2T	1
2	Drain valve	2405011	1	19	Power cable	2E01-012W	1
3	Tank wheel bolt	2418005	2	20	Pressure switch	2E21-8027DC	1
4	Tank wheel	2402042B	2	21	Strain relief bushing	2E04-012	1
5	Rubber pad set	3433011-A	2	22	Strain relief bushing	2E04-009	1
6	Grip	2432004	1	23	Pressure relief valve	2406018A	1
7	Check valve	2414025T	1	24	Pressure gauge	2D12-20D2001Q	1
8	Unloading elbow	2N06-01T02H	1	25	Nipple	2N01-058	1
9	Unloading tube	3B2-02*550F	1	26	Regulator	2408025L	1
10	Exhaust tube set	3B2-04*500	1	27	Pressure gauge	2D12-15D2001Q	1
11	Motor pulley	3PMF-035A1W0515	1	28	Quick coupler	07M0C2B-C	1
12	Allen bolt	2B01-M08*020	2	29	Motor feet bolt set	3B08-PM08*20-M	4
13	V-belt	2N31-A43	1	30	Hexagon bolt set	3B00-PM08*020V	4
14	Hexagon bolt set	3800-PM08*015W	5	31	Motor	2M02-A7410H	1
15	Belt guard	3426056B	1	32	U-nut	2B21-PM05	2
16	Bracket	3427093	1	33	Nipple	2N01-001	1
17	Hexagon bolt set	3800-SM06*015VW	1				