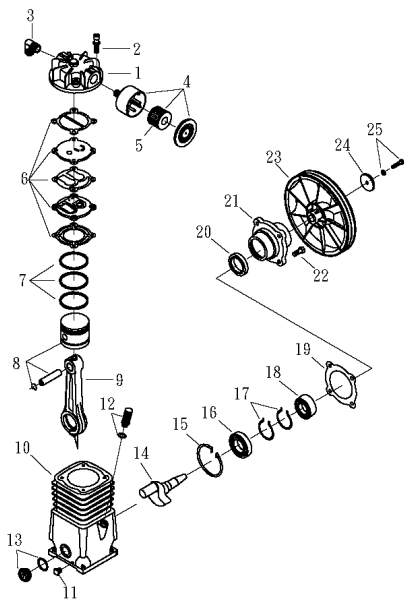


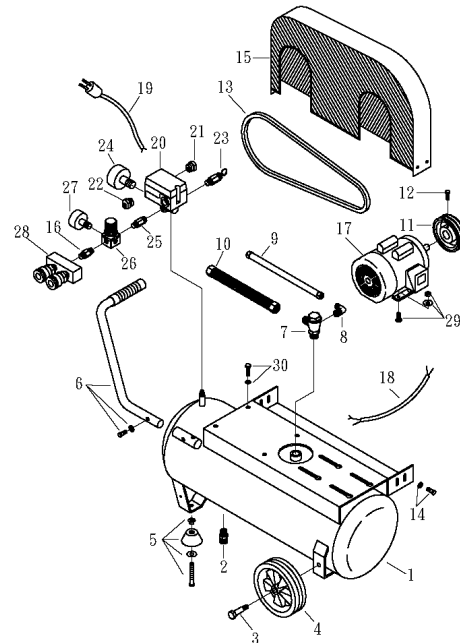
# OMEGA COMPRESSORS

For us, it's not just business. It's personal.

MODEL : PK-2008 (Pump)



MODEL : PK-2008 (Receiver Tank)



## SPARE PARTS LIST

NO : QC-1911

| REF. NO. | DESCRIPTION              | PART NO.      | QTY. | REF. NO. | DESCRIPTION           | PART NO.        | QTY. |
|----------|--------------------------|---------------|------|----------|-----------------------|-----------------|------|
| 1        | Cylinder head            | 3101084A      | 1    | 14       | Crankshaft & balancer | 3304073A        | 1    |
| 2        | Allen bolt set           | 3301-M06*040V | 4    | 15       | Bearing snap ring     | 2N43-021        | 1    |
| 3        | Elbow                    | 2N06-04T04H   | 1    | 16       | Bearing               | 2N35-6205       | 1    |
| 4        | Air filter set           | 2140020A      | 1    | 17       | Crankshaft snap ring  | 2N42-S24        | 2    |
| 5        | Filter element           | 2142013       | 1    | 18       | Bearing               | 2N35-6004Z      | 1    |
| 6        | In. & Ex. valve assembly | 3B13-AC0765C  | 1    | 19       | Bearing seat gasket   | 2C06-009        | 1    |
| 7        | Piston ring set          | 3B32-65N      | 1    | 20       | Oil seal              | 2N50-TC20*35*07 | 1    |
| 8        | Piston set               | 3B31-65N      | 1    | 21       | Bearing seat          | 3311028A        | 1    |
| 9        | Rod                      | 2315041       | 1    | 22       | Hexagon bolt          | 2B00-SM06*020   | 4    |
| 10       | Crankcase                | 3301053       | 1    | 23       | Pulley                | 3PB7-075A120    | 1    |
| 11       | Oil draining plug        | 2N33-001      | 1    | 24       | Plate washer          | 2B30-P8*35*35   | 1    |
| 12       | Breather set             | 2339009A      | 1    | 25       | Hexagon bolt set      | 3B00-SM08*030V  | 1    |
| 13       | Oil sight gauge set      | 2303013A      | 1    |          |                       |                 |      |

## SPARE PARTS LIST

NO : QC-1911

| REF. NO. | DESCRIPTION      | PART NO.        | QTY. | REF. NO. | DESCRIPTION           | PART NO.        | QTY. |
|----------|------------------|-----------------|------|----------|-----------------------|-----------------|------|
| 1        | Air tank         | 3A0-3401346QC   | 1    | 16       | Nipple                | 2N01-001        | 1    |
| 2        | Drain valve      | 2405011         | 1    | 17       | Motor                 | 2M02-A8502      | 1    |
| 3        | Tank wheel bolt  | 2418005         | 2    | 18       | Cable                 | 2E02-2030852Y2T | 1    |
| 4        | Tank wheel       | 2402042B        | 2    | 19       | Power cable           | 2E01-012W       | 1    |
| 5        | Rubber pad set   | 3433011-A       | 2    | 20       | Pressure switch       | 2E21-3027DC     | 1    |
| 6        | Grip set         | 3432035-A       | 1    | 21       | Strain relief bushing | 2E04-012        | 1    |
| 7        | Check valve      | 2414025T        | 1    | 22       | Strain relief bushing | 2E04-006        | 1    |
| 8        | Unloading elbow  | 2N06-01T02H     | 1    | 23       | Pressure relief valve | 2406018A        | 1    |
| 9        | Unloading tube   | 3B2-02*450F     | 1    | 24       | Pressure gauge        | 2D12-20D200IQ   | 1    |
| 10       | Exhaust tube set | 3B2-04*380      | 1    | 25       | Nipple                | 2N01-058        | 1    |
| 11       | Motor pulley     | 3PMF-045A1W0515 | 1    | 26       | Regulator             | 2408025L        | 1    |
| 12       | Hexagon bolt     | 2B00-SM08*015   | 2    | 27       | Pressure gauge        | 2D12-15D200IQ   | 1    |
| 13       | Y-belt           | 2N31-A36        | 1    | 28       | Quick coupler         | 07MC2B-C        | 1    |
| 14       | Hexagon bolt set | 3B00-PM08*015W  | 4    | 29       | Motor feet bolt set   | 3B08-PM08*20-M  | 4    |
| 15       | Belt guard       | 3426042         | 1    | 30       | Hexagon bolt set      | 3B00-PM06*025V  | 4    |