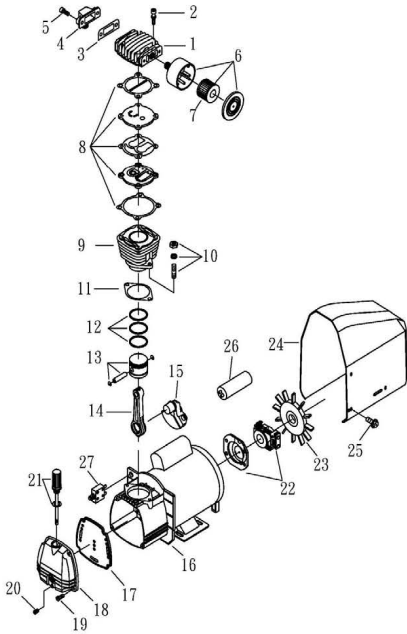


OMEGA COMPRESSORS

For us, it's not just business. It's personal.

MODEL:ND-1003(Pump)

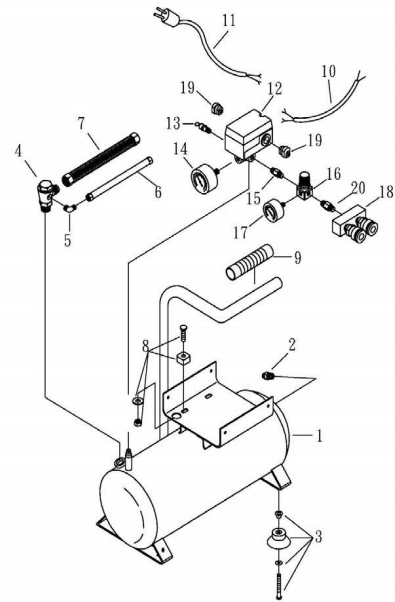


SPARE PARTS LIST

NO: QC-2108

REF. NO.	DESCRIPTION	PART NO.	QTY.	REF. NO.	DESCRIPTION	PART NO.	QTY.
1	Cylinder head	3101042	1	15	Crankshaft & balancer	3304076	1
2	Allen bolt set	3B01-M06*040V	4	16	Motor set	3B8-NC071	1
3	Elbow gasket	2G09-001H	1	17	Front bearing seat gasket	2G07-004A	1
4	Exhaust elbow	2N06-04H1	1	18	Front cover	3309022	1
5	Allen bolt	2B01-M08*020	2	19	Bolt	2B02-FM6*015	4
6	Air filter set	2140019A	1	20	Plug	2B14-ST01E	1
7	Filter element	2142013	1	21	Dipstick set	2339008A	1
8	In. & Ex. valve assembly	3B13-AC0747	1	22	Centrifugal switch set	2E24-14064P	1
9	Cylinder	3201005	1	23	Cooling fan	2336037-2	1
10	Double head screw	3B11-008-A	2	24	Shroud	2428003	1
11	Cylinder gasket	2G04-015	1	25	Hexagon bolt	2B00-FM05*010WB	6
12	Piston ring set	3B32-42N	1	26	Starting capacitor	2E28-300F12535	1
13	Piston set	3B31-42N	1	27	Thermal protector	2E25-12A	1
14	Rod	2315026	1				

MODEL: ND-1003(Receiver Tank)



SPARE PARTS LIST

NO: QC-2108

REF. NO.	DESCRIPTION	PART NO.	QTY.	REF. NO.	DESCRIPTION	PART NO.	QTY.
1	Air tank	3401092	1	11	Power cable	2E01-012	1
2	Drain valve	2405011	1	12	Pressure switch	2E21-B027BC	1
3	Rubber pad set	3433005-A	4	13	Pressure relief valve	2406018A	1
4	Check valve	2414025T	1	14	Pressure gauge	2D12-20D200IQ	1
5	Unloading elbow	2N06-01T02H	1	15	Nipple	2N01-045	1
6	Unloading tube	3B2-02*220F	1	16	Regulator	2408025L	1
7	Exhaust tube set	3B2-04*300	1	17	Pressure gauge	2D12-15D200IQ	1
8	Motor feet bolt set	3B08-FM08*30-A	4	18	Quick coupler	07MQC2B-C	1
9	Grip	2432004	1	19	Strain relief bushing	2E04-010	2
10	Cable	2E02-2030502Y2T	1	20	Nipple	2N01-001	1