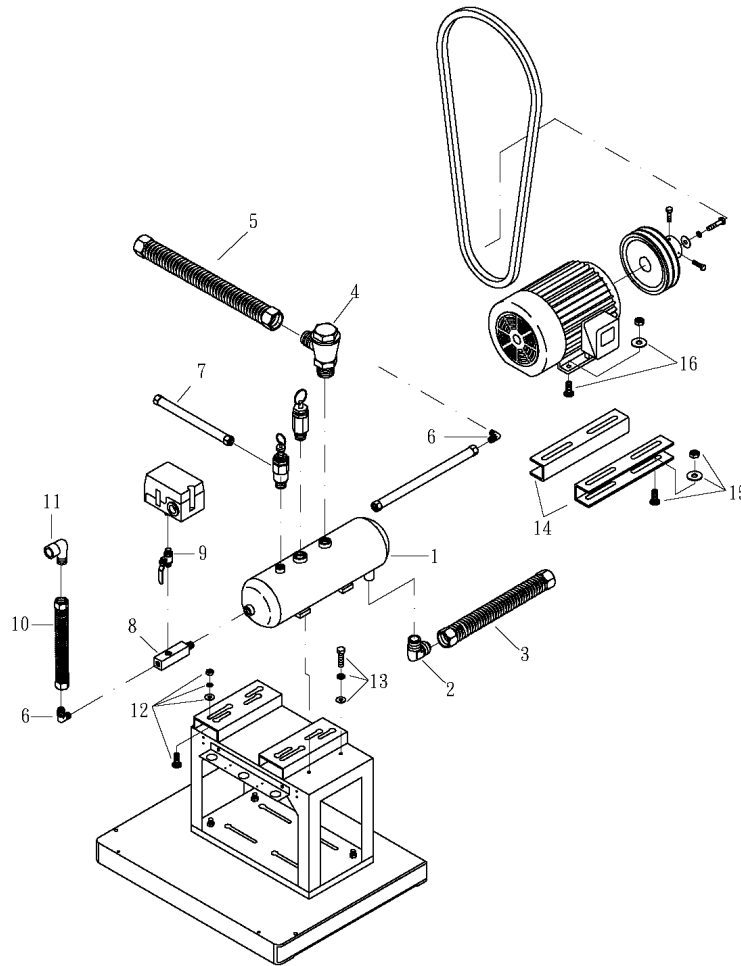


OMEGA COMPRESSORS

For us, it's not just business. It's personal.

MODEL : NCSE75 (Receive Tank)



SPARE PARTS LIST

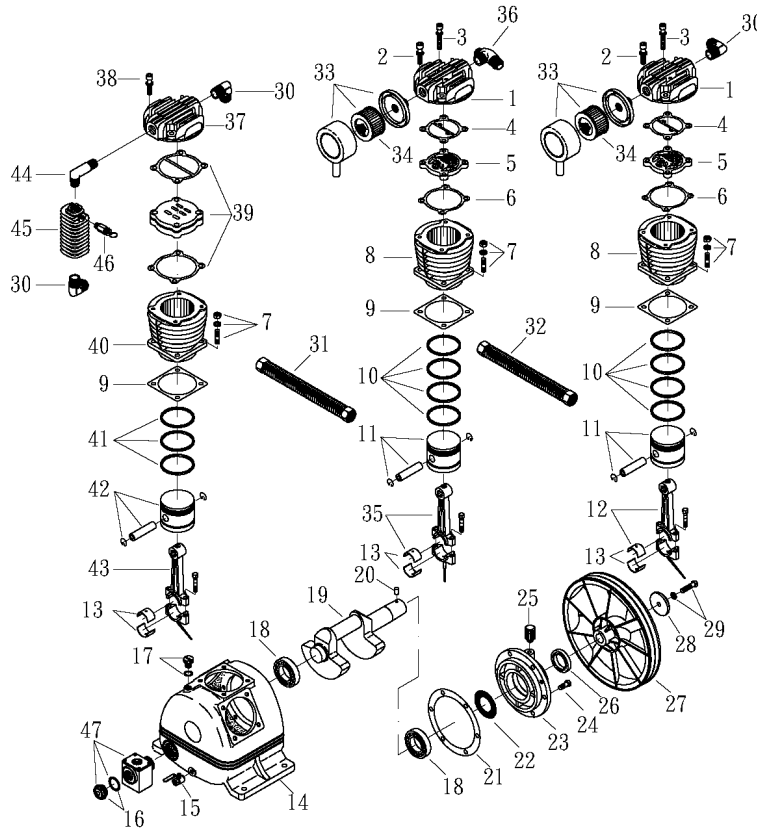
NO : QC-2103

REF. NO.	DESCRIPTION	PART NO.	QTY.	REF. NO.	DESCRIPTION	PART NO.	QTY.
1	Air tank	3401235	1	9	Ball valve	2413010	1
2	Exhaust elbow	2N06-06T06H3	1	10	Exhaust steel wire soft tube	2T02-02*0600	1
3	Exhaust steel wire soft tube	2T02-06*0450	1	11	Exhaust elbow	2N08-02H02TEC	1
4	Check valve	2414031	1	12	Motor feet bolt set	3B08-FM10*38-B	4
5	Exhaust steel wire soft tube	2T02-06*0620A	1	13	Hexagon bolt set	3B00-SM08*020VW	2
6	Unloading elbow	2N06-01T02H	2	14	Motor base	3421004	2
7	Unloading tube set	3B2-02*580	1	15	Motor feet bolt set	3B08-FM10*25-M	4
8	Bushing	2N02-029	1	16	Motor feet bolt set	3B08-FM10*38-M	4

OMEGA COMPRESSORS

For us, it's not just business. It's personal.

MODEL : NCSE75 (Pump)



SPARE PARTS LIST

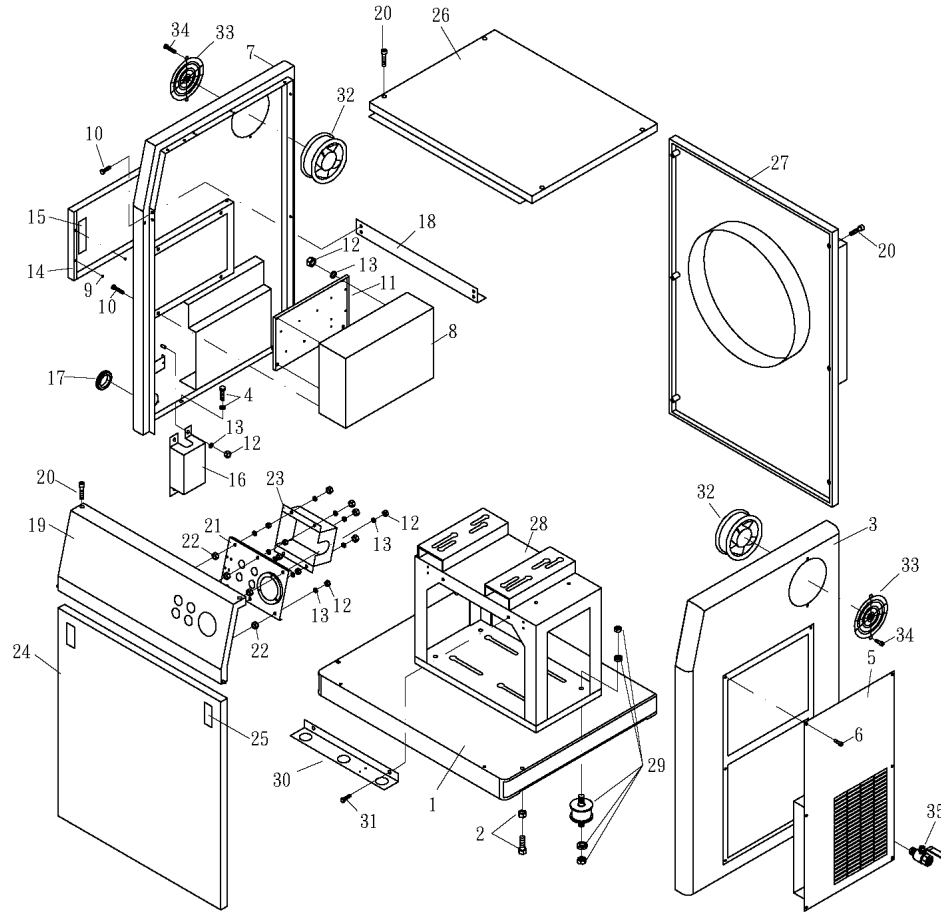
NO : QC-2103

REF. NO.	DESCRIPTION	PART NO.	QTY.	REF. NO.	DESCRIPTION	PART NO.	QTY.
1	Cylinder head	3101018	2	25	Breathing cover	2321008	1
2	Allen bolt set	3B01-M10*050V	8	26	Oil seal	2N50-TC30*50*11	1
3	Allen bolt set	3B01-M06*055Z	4	27	Pulley	3PBF-145A230B	1
4	Cylinder head gasket	2G01-011C	2	28	Pulley washer	2B34-13*52*14	1
5	Inlet&Exhaust valve assembly	3B13-AP80	2	29	Hexagon bolt set	3B00-SM12*050V	1
6	Valve seat gasket	2G03-005C	2	30	Exhaust elbow	2N06-06T06H	3
7	Double head screw set	3B11-003-A	12	31	Exhaust tube set	3B2-06*490	1
8	Cylinder	3201015	2	32	Exhaust tube set	3B2-06*235	1
9	Cylinder gasket	2G04-009	3	33	Air filter	2140009	2
10	Piston ring set	3B32-80N	2	34	Filter element	2142002	2
11	Piston set	3B31-80L	2	35	Rod set	3B33-P2337	1
12	Rod set	3B33-P2346	1	36	Exhaust three way pipe	2N09-06H06T06H2	1
13	Crank rod bush(2 pieces)	2316001-B	3	37	Cylinder head	3101043	1
14	Crankcase	3301069	1	38	Allen bolt set	3B01-M06*040V	4
15	Ball valve	2413010	1	39	In. & Ex. valve assembly	3B13-K5065C	1
16	Oil sight gauge set	2303004A	1	40	Cylinder	3201029	1
17	Oil filling plug set	2319004B	1	41	Piston ring set	3B32-65N	1
18	Bearing	2N35-6306	2	42	Piston set	3B31-T65	1
19	Crankshaft & balancer	3304025	1	43	Rod set	3B33-T5048	1
20	Pulley key	2N47-63*09	1	44	Exhaust elbow	2N06-06T06T85	1
21	Rear bearing seat gasket	2G06-002	1	45	Spare tank	3125001CS	1
22	Oil mesh	2352002	1	46	Pressure relief valve	2406020A	1
23	Rear bearing seat	3311003	1	47	Low oil switch set	3353101	1
24	Hexagon bolt	2B00-SM10*025	6				

OMEGA COMPRESSORS

For us, it's not just business. It's personal.

MODEL : NCSE75(Box-type sheet metal assembly)



SPARE PARTS LIST

NO : QC-2103

REF. NO.	DESCRIPTION	PART NO.	QTY.	REF. NO.	DESCRIPTION	PART NO.	QTY.
1	Base frame	2R01-031	1	19	Control panel	2R09-031	1
2	Hexagon bolt set	3B00-FW100*24N	4	20	Allen bolt	2B01-M06*030	12
3	Side cover	2R03-031	1	21	Instrument panel	2R10-071	1
4	Hexagon bolt set	3B00-SM08*020V	4	22	Hexagon head nut	2B20-FM08	6
5	Maintenance cover	2R14-031	1	23	Shield	2R07-031	1
6	Bolt	2B02-FM6*015	6	24	Front cover	2R08-031	1
7	Side cover	2R04-031	1	25	Handle set	2R12-004	2
8	Electrical box	2R18-031	1	26	Top cover	2R11-031	1
9	Vibration absorber set	2R02-007	2	27	Rear	2R06-031	1
10	Flat head bolt(+)	2B04-FM06*015	8	28	Base frame	2R02-031	1
11	Switchboard	2R18-031A	1	29	Vibration absorber set	3439006-B	4
12	Hex nut	2B20-FM06	16	30	Bracket	3817031A	1
13	Plate washer	2B30-06*14*10	16	31	Hexagon bolt set	2B00-FM08*015	2
14	Electrical box door	2R18-031B	1	32	Fan	2E30-0601	2
15	Handle set	2R12-014	1	33	Fan net	2E31-0601	2
16	Cable cover	2R04-011A	1	34	Bolt	2B02-CM5*015	4
17	Plate	2R12-012	1	35	Ball valve	2413008	1
18	Bonding rod	2R21-132	1				