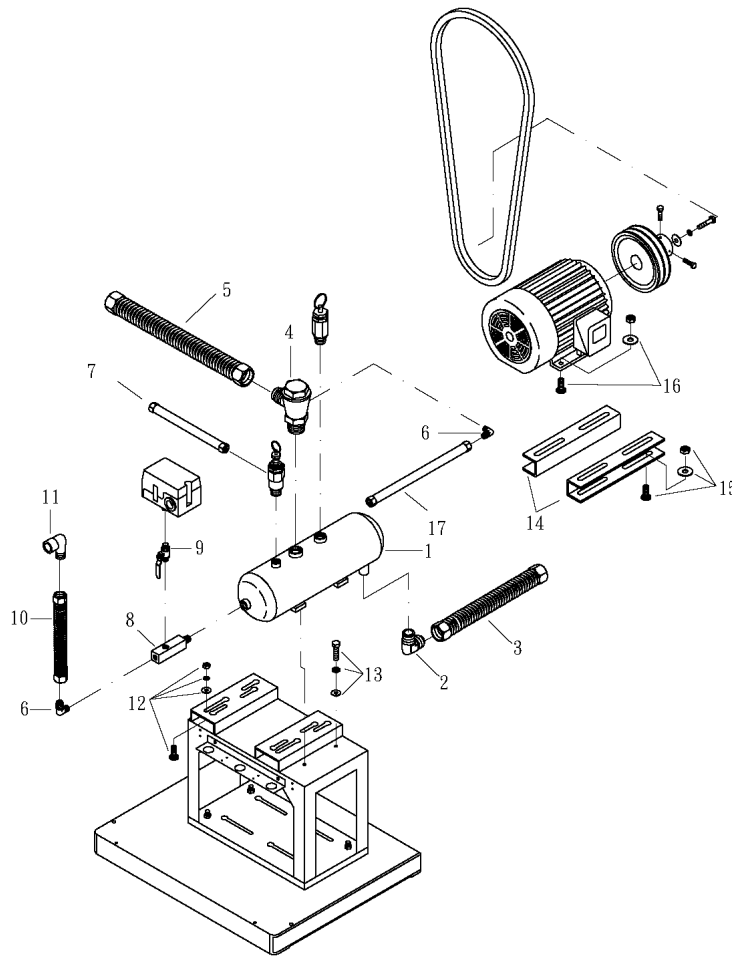


OMEGA COMPRESSORS

For us, it's not just business. It's personal.

MODEL : NCSE100 (Receive Tank)



SPARE PARTS LIST

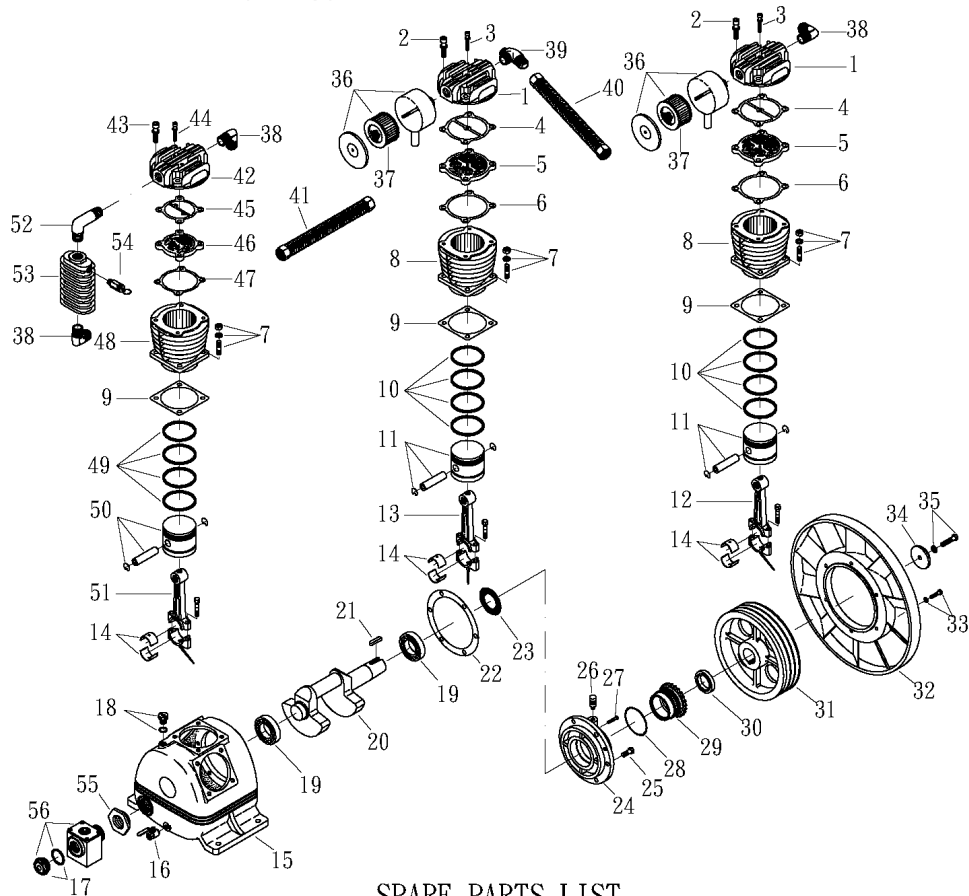
NO : QC-2011

REF. NO.	DESCRIPTION	PART NO.	QTY.	REF. NO.	DESCRIPTION	PART NO.	QTY.
1	Air tank	3401236	1	10	Exhaust steel wire soft tube	2T02-02*0600	1
2	Exhaust elbow	2N06-10T10H3	1	11	Exhaust elbow	2N08-02H02TEC	1
3	Exhaust steel wire soft tube	2T02-10*0550A	1	12	Motor feet bolt set	3B08-FM12*42-B	4
4	Check valve	2414032	1	13	Hexagon bolt set	3B00-SM08*020VW	2
5	Exhaust steel wire soft tube	2T02-10*0750A	1	14	Motor base	3421005	2
6	Unloading elbow	2N06-01T02H	2	15	Motor feet bolt set	3B08-FM12*28-M	4
7	Unloading tube set	3B2-02*220	1	16	Motor feet bolt set	3B08-FM12*42-M	4
8	Bushing	2N02-029	1	17	Unloading tube	3B2-02*600F	1
9	Ball valve	2413010	1				

OMEGA COMPRESSORS

For us, it's not just business. It's personal.

MODEL : NCSE100 (Pump)



SPARE PARTS LIST

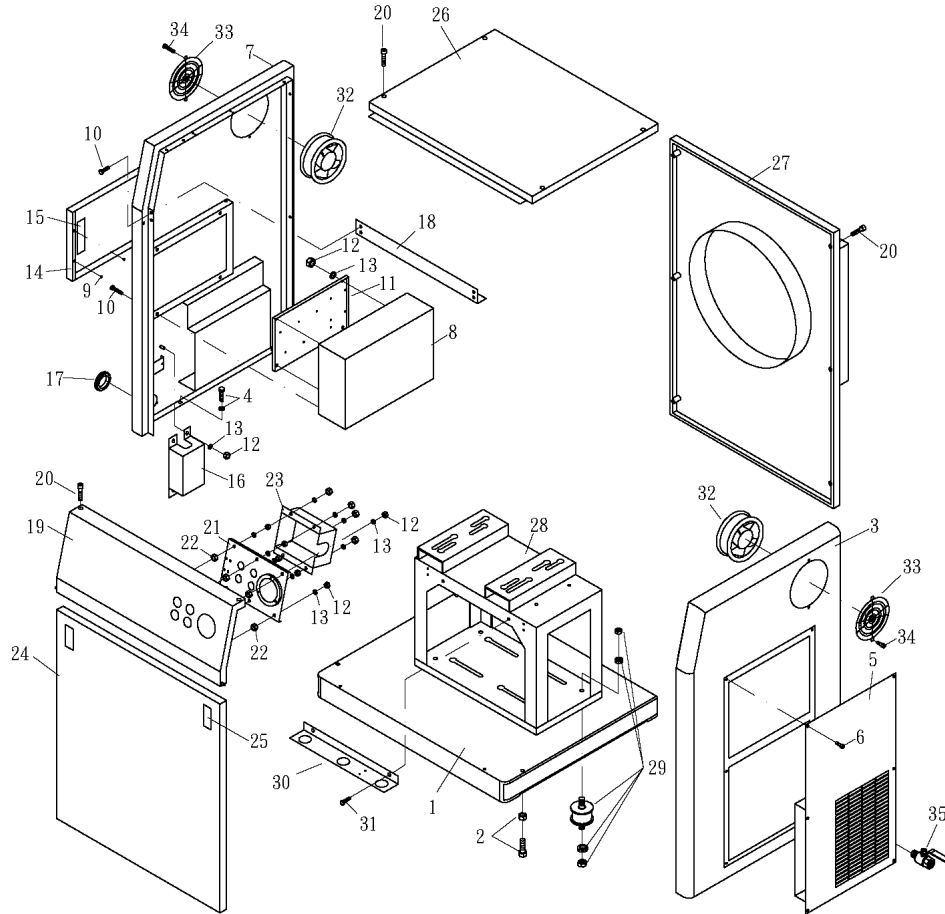
NO : QC-2011

REF. NO.	DESCRIPTION	PART NO.	QTY.	REF. NO.	DESCRIPTION	PART NO.	QTY.
1	Cylinder head	3101019	2	29	Trust ring	3312002	1
2	Allen bolt set	3B01-M12*055V	8	30	Oil seal	2N50-TC50*72*12	1
3	Allen bolt set	3B01-M08*055Z	2	31	Pulley	3PBF-115B350	1
4	Cylinder head gasket	2G01-012C	2	32	Fly wheel	3PBF-516*228	1
5	Inlet&Exhaust valve assembly	3B13-AP100	2	33	Hexagon bolt set	3B00-SM08*035AV	6
6	Valve seat gasket	2G03-006C	2	34	Pulley washer	2B34-13*75*13	1
7	Double head screw set	3B11-004-A	12	35	Hexagon bolt set	3B00-SM12*050V	1
8	Cylinder	3201016	2	36	Air filter	2140011	2
9	Cylinder gasket	2G04-010	3	37	Filter element	2142009	2
10	Piston ring set	3B32-100	2	38	Exhaust elbow	2N06-10T10H	3
11	Piston set	3B31-100L	2	39	Exhaust 3-way pipe	2N09-10H10T10H3	1
12	Rod set	3B33-P7568	1	40	Exhaust tube set	3B2-10*265	1
13	Rod set	3B33-P7567	1	41	Exhaust tube set	3B2-10*580	1
14	Rod bush	2316002-B	3	42	Cylinder head	3101030	1
15	Crankcase	3301019	1	43	Allen bolt set	3B01-M10*050V	4
16	Ball valve	2413010	1	44	Allen bolt set	3B01-M06*055Z	2
17	Oil sight gauge set	2303012A	1	45	Cylinder head gasket	2G01-011C	1
18	Oil filling plug set	2319004B	1	46	In. & Ex. valve assembly	3B13-AP80	1
19	Bearing	2N35-32210	2	47	Valve seat gasket	2G03-005C	1
20	Crankshaft & balancer	3304027	1	48	Cylinder	3201013	1
21	Pulley key	2N47-10*8*40	1	49	Piston ring set	3B32-70	1
22	Rear bearing seat gasket	2C06-003	1	50	Piston set	3B31-T70	1
23	Oil mesh	2352004	1	51	Rod set	3B33-TKA071	1
24	Rear bearing seat	3311007	1	52	Exhaust elbow	2N06-10T10T92	1
25	Hexagon bolt	2B00-SM12*030	6	53	Spare tank	3125002	1
26	Breathing cover	2321008	1	54	Pressure relief valve	2406020A	1
27	Hexagon bolt	2B00-SM06*035	1	55	Bushing	2N02-020	1
28	O-ring	2N52-20*78	1	56	Low oil switch set	3353103	1

OMEGA COMPRESSORS

For us, it's not just business. It's personal.

MODEL : NCSE100(Box-type sheet metal assembly)



SPARE PARTS LIST

NO : QC-2011

REF. NO.	DESCRIPTION	PART NO.	QTY.	REF. NO.	DESCRIPTION	PART NO.	QTY.
1	Base frame	2R01-071	1	19	Control panel	2R09-071	1
2	Hexagon bolt set	3B00-FW100*24N	4	20	Allen bolt	2B01-M06*030	12
3	Side cover	2R03-071	1	21	Instrument panel	2R10-071	1
4	Hexagon bolt set	3B00-SM08*020V	4	22	Hexagon head nut	2B20-FM08	6
5	Maintenance cover	2R14-071	1	23	Shield	2R07-031	1
6	Bolt	2B02-FM6*015	6	24	Front cover	2R08-071	1
7	Side cover	2R04-071	1	25	Handle set	2R12-004	2
8	Electrical box	2R18-071	1	26	Top cover	2R11-071	1
9	Bolt	2R12-007	2	27	Rear	2R06-071	1
10	Flat head bolt(+)	2B04-FM06*015	8	28	Base frame	2R02-071	1
11	Switchboard	2R18-071A	1	29	Vibration absorber set	3439007-B	4
12	Hex nut	2B20-FM06	16	30	Bracket	3817031A	1
13	Plate washer	2B30-06*14*10	16	31	Hexagon bolt set	2B00-FM08*015	2
14	Electrical box door	2R18-071B	1	32	Fan	2E30-0601	2
15	Handle set	2R12-014	1	33	Fan net	2E31-0601	2
16	Cable cover	2R04-071A	1	34	Bolt	2B02-CM5*015	6
17	Plate	2R12-012	1	35	Ball valve	2413006	1
18	Bonding rod	2R21-133	1				